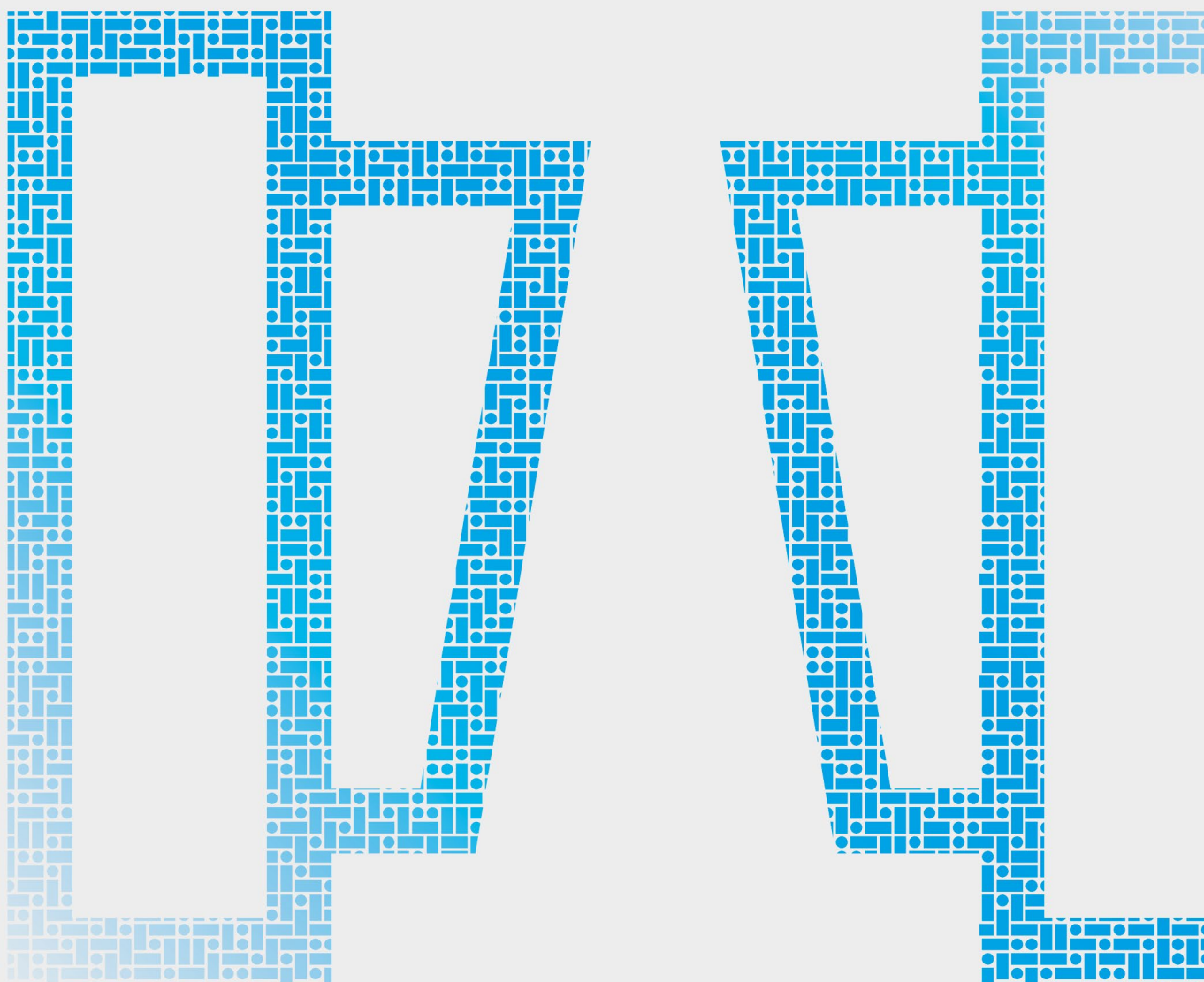


# PEDESTRIAN ACCESS CONTROL SYSTEMS



Turnstiles, speed gates and high security solutions



**CAME**   
**ÖZAK**

[CAME.COM/OZAK](http://CAME.COM/OZAK)

**CAME**  **ÖZAK**

# GENERAL INDEX

3	GENERAL INDEX
4	VISION
5	MISSION
6	WE'VE BEEN SPEAKING ABOUT QUALITY LIVING, IN ALL THE WORLD'S LANGUAGES, FOR 50 YEARS
7	THE CAME OFFER
8	OUR WORLDWIDE NETWORK
10	EXTENSIVE SOLUTIONS OVER 40 YEARS FOR SECURITY AND WELL-BEING OF THE PEOPLE AROUND THE GLOBE.
11	TIMELINE

## 13 WAIST HEIGHT TURNSTILES

14	602
15	602 D
18	500 E
19	500 E D
21	FKR 777
23	702 R N1
26	700 E N1
27	700 E N1 D

## 31 TURNSTILES FOR REDUCED MOBILITY

32	605
33	605 D
34	705 E N1
35	705 E N1 D

## 39 FREE PASSAGE TURNSTILES

40	SWG 101
41	MRKT 404

## 43 SPEED GATES

44	HG 01
46	HG 02 GL
50	HG 02 GL DP
52	SG 55 SLIDING GATE
56	SG 90 SLIDING GATE
58	PG 03 55 PADDLE GATE
60	PG 03 90 PADDLE GATE

## 63 GLASS LINE

64	GL A1
65	GL B1
67	GL A2

## 69 HALF HEIGHT TURNSTILES

70	HT 400
71	HT 400 D

## 74 FULL HEIGHT TURNSTILES

75	DK 300
76	BT 312
77	BT 312 D
78	BTX 300 N1
79	BTX 300 N1 D
82	BTC 300
83	BTC 300 D
85	DK 400
88	BT 402
89	BT 402 D
90	BTX 400 N1
91	BTX 400 N1 D
94	BTC 400
95	BTC 400 D

## 97 EXIT GATES

98	BT 100 (MOTORIZED)
99	PEGA 100 (MANUAL)

## 101 GLASS FULL HEIGHT SERIES

102	BT 302 GL
103	BT 402 GL

## 105 HIGH SECURITY SERIES

106	CGG - SQ - AIR
112	CGG 100
114	CGC 100
116	ACCESSORIES
117	CUSTOMISATIONS

# VISION ROAD

## VISION

We believe in a world where sustainable technological innovation makes people's lives more comfortable, simple and secure



# MISSION

To create a global offer of high-quality technological products and solutions for automation, smart homes, access control and security to improve our customers lives and our partners business

**CAME**   
MORE THAN TECHNOLOGY

# WE'VE BEEN SPEAKING ABOUT QUALITY LIVING, IN ALL THE WORLD'S LANGUAGES, FOR 50 YEARS.

**50<sup>TH</sup>**  
**ANNIVERSARY**

CAME has catered to people's needs for 50 years by using technology as a key to a quality life. Every project drives our innovation and focus to make people's lives as comfortable as possible. CAME is a company where skills and experience come into play. Its know how blends functionality and design continuously improving performance.

You are sure that you can rely on professionals able to transform our innovations into solutions, to create customized automation proposals integrated with the best connectivity and mobility technologies. CAME and its partners, together, to satisfy its increasingly demanding and heterogeneous customers for their culture and needs, in order to transform living spaces into more intelligent and safe places.

**CAME** 

**CAME † BPT**

**CAME † URBACO**

**CAME † BTECH**

**CAME † ÖZAK**

**CAME † GO**

**CAME † PARKARE**

**CAME † KMS**

**CAME † NEPOS**

**CAME † ENTROTEC**

## **ALWAYS ONE-STEP-AHEAD**

CAME is a market-leading brand that makes integrated automation solutions, video-entry, access control and parking systems for the public and private sectors.

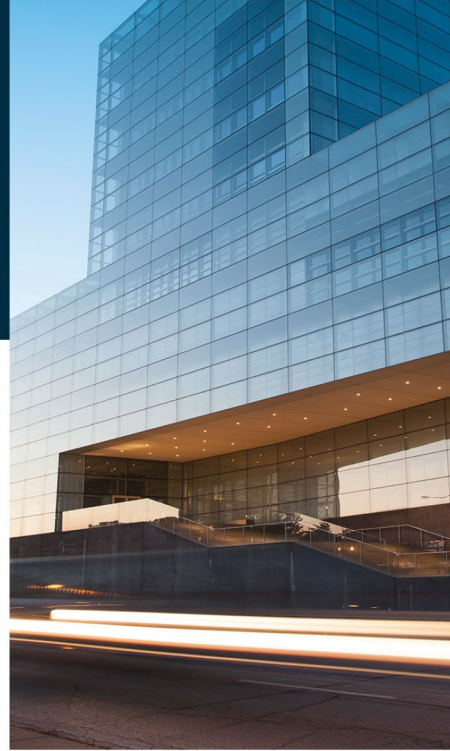
The CAME Group boasts a series of highly specialized companies. Together they cover a large share of their market. The group delivers cutting-edge solutions for the residential, business and urban segments. Whether its home automation or heating control, road barriers and high-security bollards, or automatic doors and sectional industrial doors, CAME Group is a key player.

Today CAME is set on one, distinct corporate vision, which makes the organization a cutting-edge technological partner.

# RESIDENTIAL SOLUTIONS



We have gone on to develop an idea of home automation that is increasingly integrated and connected with people's lives. Today, automation is at the heart of the home, managing entrances and garage doors, controlling blinds and shutters, video entry systems and climate control.



# BUSINESS SOLUTIONS



For every public area, we offer the most sophisticated systems for pedestrian and vehicle access control and security, video entry systems and parking solutions. Small and large companies, commercial enterprises, large buildings: CAME-branded automation provide control and safety in both small and large working environments.

# URBAN SOLUTIONS



The complexity involved in living spaces and in mobility flows require ever greater protection and security, plus enhanced reactive capacity and greater know-how. Our offer is geared to meet the different automation needs for urban planning and architectural scenarios. CAME solutions are engineered for managing safety and control in large works and for contributing to the planning of urban spaces making them "Safe and Smart", as called for in today's fast-paced, metropolitan centres.



# OUR WORLDWIDE NETWORK.

## We are a worldwide network.

From the Treviso head office, home to the group's thriving core, we coordinate 11 manufacturing plants and 10 R&D units. We have subsidiaries in 20 countries and, thanks to our commercial partner and distributors, we operate in 118 countries with an integrated and global vision.

We are the technology partner for those projects that require integrated systems for improving the quality of our living space – whether private or public. Our products are made for controlling homes, managing urban venues and workplaces, of any kind, anywhere in the world.

Our Group shares common goals, which go well beyond our respective specializations: thanks to the synergies that exist among all the divisions and brands, we share a modus operandi that enriches our diversity.

## BRANCHES AMERICA

Brazil  
Canada  
Mexico  
Perù  
USA

# 2000

OUR PEOPLE AROUND THE WORLD







**CAME HQ**  
Treviso, Italy



**BRANCHES  
EUROPE**

- |             |          |
|-------------|----------|
| Italy       | Poland   |
| Belgium     | Portugal |
| Croatia     | Russia   |
| France      | Spain    |
| Germany     | UK       |
| Ireland     | Turkey   |
| Netherlands |          |

**10**

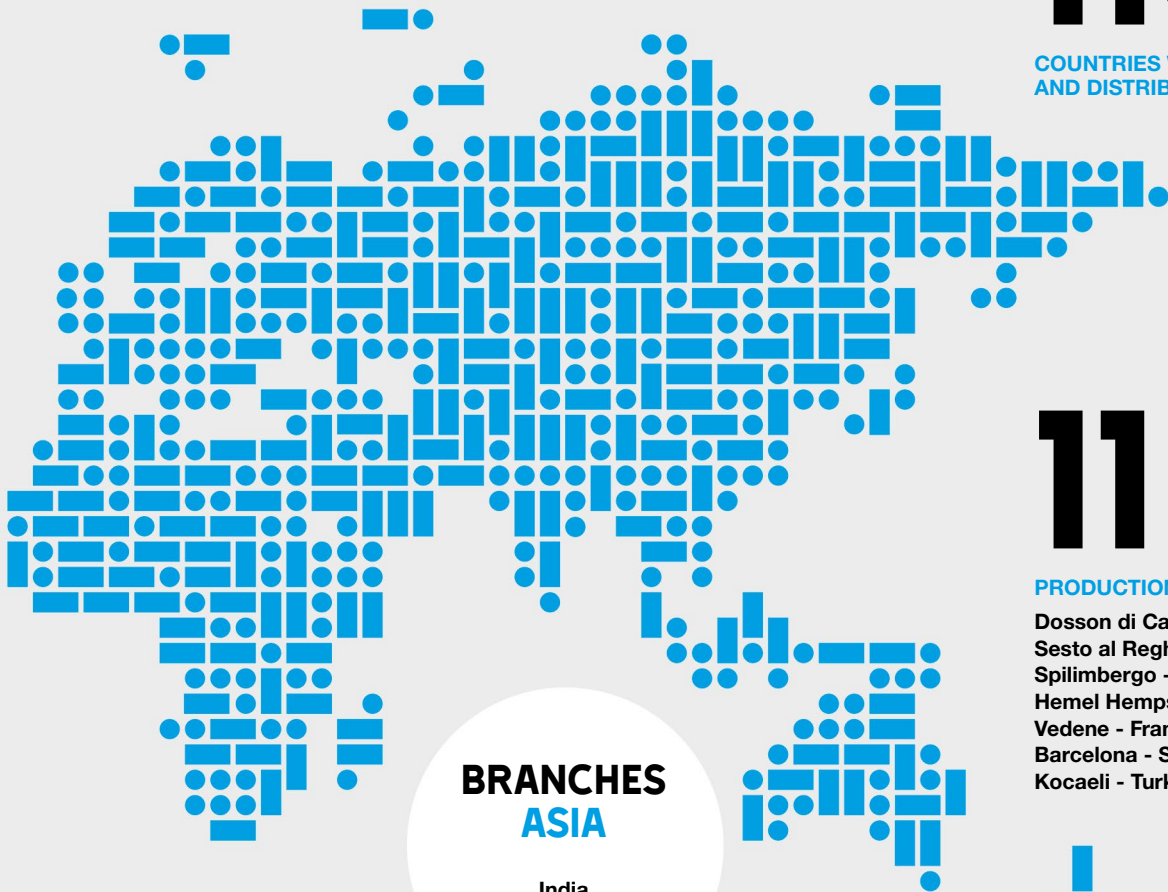
R&D CENTRES

**20**

COUNTRIES WITH DIRECT BRANCHES

**118**

COUNTRIES WITH PARTNERS AND DISTRIBUTORS



**BRANCHES  
ASIA**

- India
- The UAE

**11**

PRODUCTION PLANTS

- Dosson di Casier - Italy
- Sesto al Reghena - Italy
- Spilimbergo - Italy
- Hemel Hempstead - UK
- Vedene - France
- Barcelona - Spain
- Kocaeli - Turkey



**480**

WORLDWIDE DISTRIBUTORS AND PARTNERS

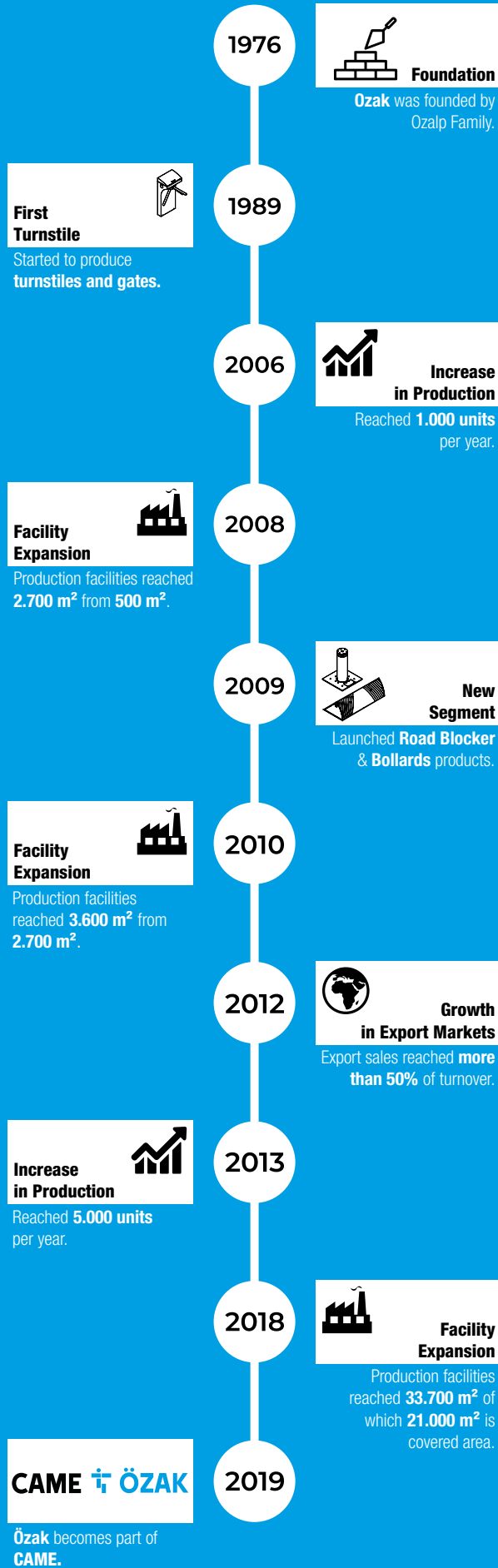
# EXTENSIVE SOLUTIONS OVER 40 YEARS FOR SECURITY AND WELL-BEING OF THE PEOPLE AROUND THE GLOBE.

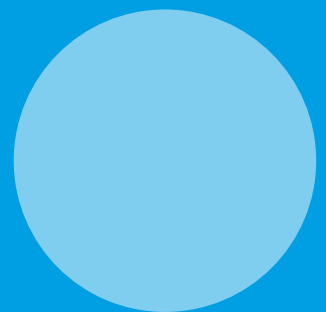
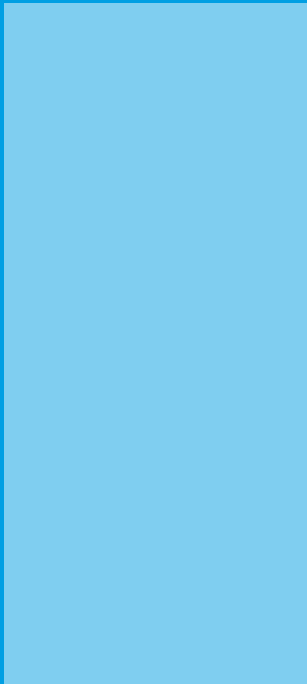


**CAME ÖZAK**, a global player, has incorporated one of the widest range of products offering solutions in pedestrian and vehicle access control fields. We owe our success to our talented designers and engineers along with our flexible manufacturing processes.

Understanding needs of the people, thus providing customised solutions tailored to expectations has made our offering a choice for numerous residential, governmental, urban and sports facilities. Our fully integratable, user friendly and high performance solutions are available with our solution partners all over the world.

# TIMELINE



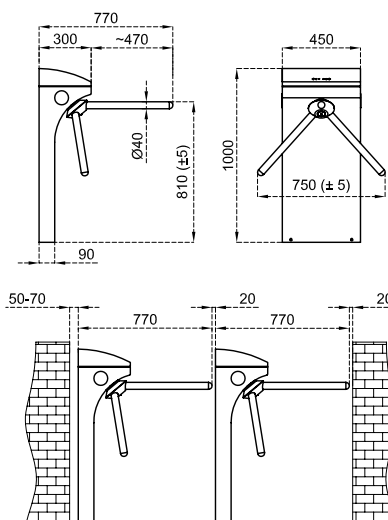


## WAIST HEIGHT TURNSTILES



14	602
15	602 D
18	500 E
19	500 E D
21	FKR 777
23	702 R N1
26	700 E N1
27	700 E N1 D

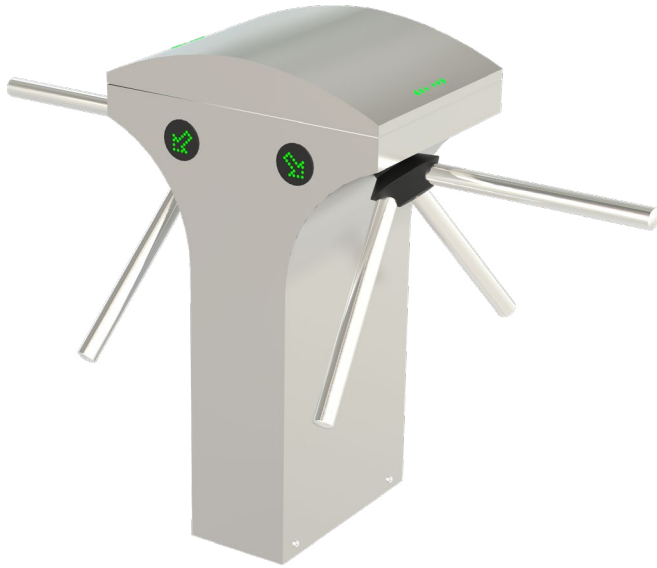


Dimensions (mm)

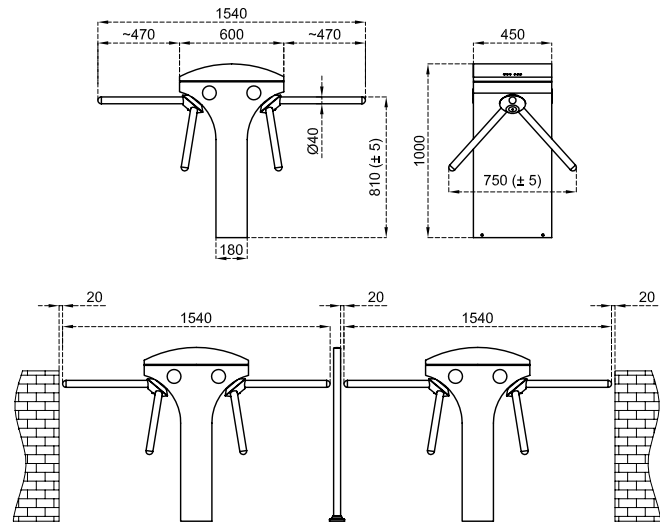


## Technical Features

<b>Place of Use</b>	Indoors, outdoors.
<b>Operating Temperature, Humidity</b>	-20°C/+68°C (opt. -50°C with heater positive), RH 95% non-condensing.
<b>Operating Intensity</b>	100%, 7/24 use.
<b>Body Features</b>	<b>Material</b> : 304 grade (opt. 316 grade) stainless steel. <b>Finishing</b> : Orbital brushed matt (opt. electrostatic powder coating on stainless steel).
<b>Arms</b>	<b>Automatic Drop (Retractable) Arm</b> : Optional <b>Material</b> : Ø40x2 mm 304 grade (opt. 316 grade) stainless steel, one by one demountable. <b>Finishing</b> : Satine brushed (opt. orbital brushed matt, electrostatic powder coating on stainless steel).
<b>Indicators</b>	<b>Side Status / Direction Indicators</b> :  LED, standard. <b>Top Passage Indicator</b> :  LED, standard.
<b>Power</b>	<b>Operating Voltage</b> : 110/220V AC 50/60 Hz. (%±10), 24V DC. <b>Consumption</b> : ~3,4W at stand-by, during passage ~2,7W (varies according to the options and accessories used).
<b>Operating Modes</b>	System operates bi-directionally (entry-exit). Operating modes can be adjusted through the buttons and screen on the control card. Entry - exit controlled                      Entry controlled, exit free                      Entry free, exit controlled Single input both directions use                      Entry - exit free
<b>Operating System</b>	Electromechanical manual operation (opt. electromechanical motorized operation).
<b>Control System</b>	All functions, parameters and operating modes can be adjusted through the buttons and screen on the control card. All inputs are opto-coupler protected. Controllable by dry contact (ground control). Compatible with all kinds of access control device. Optional RS232-RS485-TCP/IP module is available.
<b>Flow Rate</b>	<b>Capacity of mechanism (manual)</b> : Max. 82 cycle/min. <b>Nominal</b> : ~30 pass/min. <b>Capacity of mechanism (motorized)</b> : Max. 75 cycle/min. <b>Nominal</b> : ~25 pass/min. (Passage rate can change depending on the access control system utilized)
<b>Emergency Mode</b>	System allows free passage (entry-exit) in both directions (fail safe). Works compatible with fire warning and similar systems. At the end of an emergency situation, system returns to its normal operating mode.
<b>Power-off Situation</b>	System allows free passage (entry-exit) in both directions (fail safe). Optionally, can be set (fail secure) as; entry-exit locked, entry free-exit locked, or entry locked-exit free. Free passage in chosen direction by manual override key in fail secure option is available.
<b>Weight</b>	~35 kg
<b>Optional Features and Accessories</b>	Automatic drop (retractable) arm, motor driven unit, wireless remote control (receiver-transmitter), manual control, manual override key (with fail secure option), coin slot and coin box, single/multiple intelligent coin/token slot and box, counter (with/without reset), card reader mounting bracket, photocell alarm sensor, passage completion sensor, contactless passage sensor (for motorized models), heater positive, top lid weight sensor, bottom plate, battery back-up, 316 grade stainless steel, RS232-RS485-TCP/IP modules, limiter, electrostatic powder coating on stainless steel.



Dimensions (mm)



## Technical Features

<b>Place of Use</b>	Indoors, outdoors.
<b>Operating Temperature, Humidity</b>	-20°C/+68°C (opt. -50°C with heater positive), RH 95% non-condensing.
<b>Operating Intensity</b>	100%, 7/24 use.
<b>Body Features</b>	<b>Material</b> : 304 grade (opt. 316 grade) stainless steel. <b>Finishing</b> : Orbital brushed matt (opt. electrostatic powder coating on stainless steel).
<b>Arms</b>	<b>Automatic Drop (Retractable) Arm</b> : Optional <b>Material</b> : Ø40x2 mm 304 grade (opt. 316 grade) stainless steel, one by one demountable. <b>Finishing</b> : Satine brushed (opt. orbital brushed matt, electrostatic powder coating on stainless steel).
<b>Indicators</b>	<b>Side Status / Direction Indicators</b> :   LED, standard. <b>Top Passage Indicator</b> :     LED, standard.
<b>Power</b>	<b>Operating Voltage</b> : 110/220V AC 50/60 Hz. (%±10), 24V DC. <b>Consumption</b> : ~6,8W at stand-by, during passage ~2,7+2,7W (varies according to the options and accessories used).
<b>Operating Modes</b>	System operates bi-directionally (entry-exit). Operating modes can be adjusted through the buttons and screen on the control card. Entry - exit controlled                      Entry controlled, exit free                      Entry free, exit controlled Single input both directions use                      Entry - exit free
<b>Operating System</b>	Electromechanical manual operation (opt. electromechanical motorized operation).
<b>Control System</b>	All functions, parameters and operating modes can be adjusted through the buttons and screen on the control card. All inputs are opto-coupler protected. Controllable by dry contact (ground control). Compatible with all kinds of access control device. Optional RS232-RS485-TCP/IP module is available.
<b>Flow Rate</b>	<b>Capacity of mechanism (manual)</b> : Max. 164 cycle/min. <b>Nominal</b> : ~60 pass/min. <b>Capacity of mechanism (motorized)</b> : Max. 150 cycle/min. <b>Nominal</b> : ~50pass/min. (Passage rate can change depending on the access control system utilized)
<b>Emergency Mode</b>	System allows free passage (entry-exit) in both directions (fail safe). Works compatible with fire warning and similar systems. At the end of an emergency situation, system returns to its normal operating mode.
<b>Power-off Situation</b>	System allows free passage (entry-exit) in both directions (fail safe). Optionally, can be set (fail secure) as; entry-exit locked, entry free-exit locked, or entry locked-exit free. Free passage in chosen direction by manual override key in fail secure option is available.
<b>Weight</b>	~55 kg
<b>Optional Features and Accessories</b>	Automatic drop (retractable) arm, motor driven unit, wireless remote control (receiver-transmitter), manual control, manual override key (with fail secure option), coin slot and coin box, single/multiple intelligent coin/token slot and box, counter (with/without reset), card reader mounting bracket, photocell alarm sensor, passage completion sensor, contactless passage sensor (for motorized models), heater positive, top lid weight sensor, bottom plate, battery back-up, 316 grade stainless steel, RS232-RS485-TCP/IP modules, limiter, electrostatic powder coating on stainless steel.



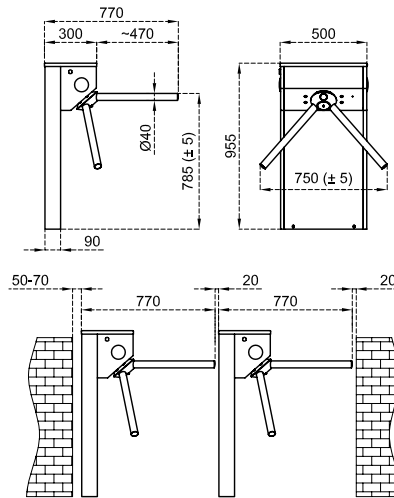






# 500 E



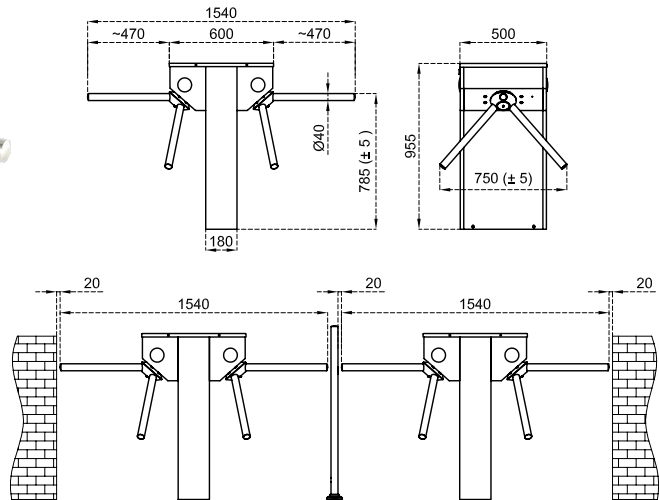
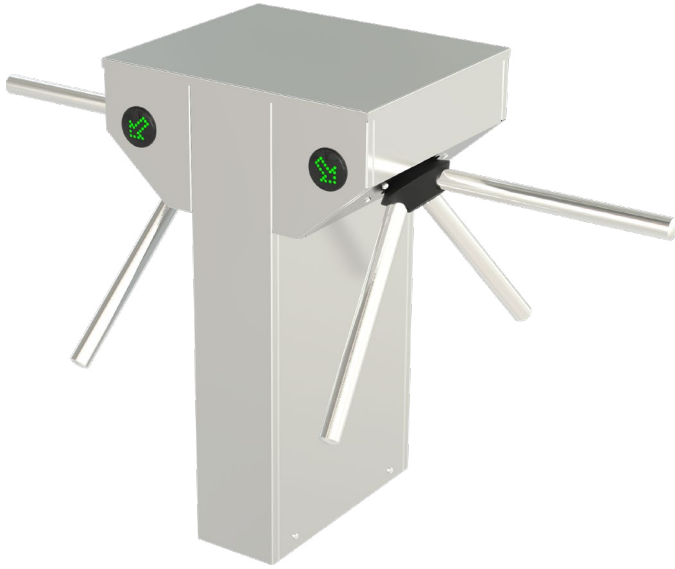
## Dimensions (mm)





## Technical Features

<b>Place of Use</b>	Indoors, outdoors
<b>Operating Temperature, Humidity</b>	-20°C/+68°C (opt. -50°C with heater positive), RH 95% non-condensing.
<b>Operating Intensity</b>	100%, 7/24 use.
<b>Body Features</b>	<b>Material</b> : 304 grade (opt. 316 grade) stainless steel. <b>Finishing</b> : Orbital brushed matt (opt. electrostatic powder coating on stainless steel).
<b>Arms</b>	<b>Automatic Drop (Retractable) Arm</b> : Optional <b>Material</b> : Ø40x2 mm 304 grade (opt. 316 grade) stainless steel, one by one demountable. <b>Finishing</b> : Satine brushed (opt. orbital brushed matt, electrostatic powder coating on stainless steel)
<b>Indicators</b>	<b>Side Status / Direction Indicators</b> :   LED, standard.
<b>Power</b>	<b>Operating Voltage</b> : 110/220V AC 50/60 Hz. (%±10), 24V DC. <b>Consumption</b> : ~3,1W at stand-by, during passage ~2,6W (varies according to the options and accessories used).
<b>Operating Modes</b>	System operates bi-directionally (entry-exit). Operating modes can be adjusted through the buttons and screen on the control card. Entry - exit controlled      Entry controlled, exit free      Entry free, exit controlled Single input both directions use      Entry - exit free
<b>Operating System</b>	Electromechanical manual operation (opt. electromechanical motorized operation).
<b>Control System</b>	All functions, parameters and operating modes can be adjusted through the buttons and screen on the control card. All inputs are opto-coupler protected. Controllable by dry contact (ground control). Compatible with all kinds of access control device. Optional RS232, RS485 or TCP/IP module is available.
<b>Flow Rate</b>	<b>Capacity of mechanism (manual)</b> : Max. 82 cycle/min. <b>Nominal</b> : ~30 pass/min. <b>Capacity of mechanism (motorized)</b> : Max. 75 cycle/min. <b>Nominal</b> : ~25 pass/min. (Passage rate can change depending on the access control system utilized)
<b>Emergency Mode</b>	System allows free passage (entry-exit) in both directions (fail safe). Works compatible with fire warning and similar systems. At the end of an emergency situation, system returns to its normal operating mode.
<b>Power-off Situation</b>	System allows free passage (entry-exit) in both directions (fail safe). Optionally, can be set (fail secure) as; entry-exit locked, entry free-exit locked, or entry locked-exit free. Free passage in chosen direction by manual override key in fail secure option is available.
<b>Weight</b>	~29 kg
<b>Optional Features and Accessories</b>	Automatic drop (retractable) arm, motor driven unit, wireless remote control (receiver-transmitter), manual control, manual override key (with fail secure option), coin slot and coin box, single/multiple intelligent coin/token slot and box, counter (with/without reset), card reader mounting bracket, photocell alarm sensor, passage completion sensor, contactless passage sensor (for motorized models), heater positive, top lid weight sensor, bottom plate, battery back-up, 316 grade stainless steel, RS232-RS485-TCP/IP modules, limiter, top passage indicator, electrostatic powder coating on stainless steel.

## Dimensions (mm)



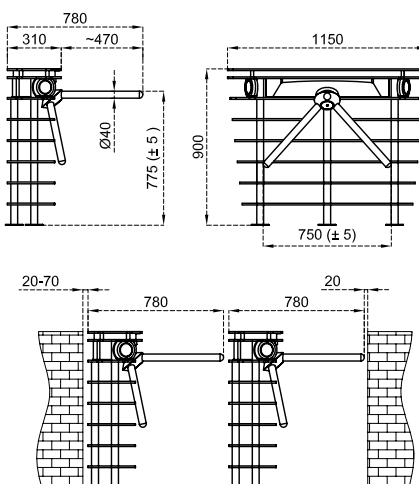
## Technical Features

<b>Place of Use</b>	Indoors, outdoors
<b>Operating Temperature, Humidity</b>	-20°C/+68°C (opt. -50°C with heater positive), RH 95% non-condensing.
<b>Operating Intensity</b>	100%, 7/24 use.
<b>Body Features</b>	<b>Material</b> : 304 grade (opt. 316 grade) stainless steel. <b>Finishing</b> : Orbital brushed matt (opt. electrostatic powder coating on stainless steel).
<b>Arms</b>	<b>Automatic Drop (Retractable) Arm</b> : Optional <b>Material</b> : Ø40x2 mm 304 grade (opt. 316 grade) stainless steel, one by one demountable. <b>Finishing</b> : Satine brushed (opt. orbital brushed matt, electrostatic powder coating on stainless steel)
<b>Indicators</b>	<b>Side Status / Direction Indicators</b> :   LED, standard.
<b>Power</b>	<b>Operating Voltage</b> : 110/220V AC 50/60 Hz. (%±10), 24V DC. <b>Consumption</b> : ~6,2W at stand-by, during passage ~2,6+2,6W (varies according to the options and accessories used).
<b>Operating Modes</b>	System operates bi-directionally (entry-exit). Operating modes can be adjusted through the buttons and screen on the control card. Entry - exit controlled      Entry controlled, exit free      Entry free, exit controlled Single input both directions use      Entry - exit free
<b>Operating System</b>	Electromechanical manual operation (opt. electromechanical motorized operation).
<b>Control System</b>	All functions, parameters and operating modes can be adjusted through the buttons and screen on the control card. All inputs are opto-coupler protected. Controllable by dry contact (ground control). Compatible with all kinds of access control device. Optional RS232, RS485 or TCP/IP module is available.
<b>Flow Rate</b>	<b>Capacity of mechanism (manual)</b> : Max. 164 cycle/min. <b>Nominal</b> : ~60 pass/min. <b>Capacity of mechanism (motorized)</b> : Max. 150 cycle/min. <b>Nominal</b> : ~50 pass/min. (Passage rate can change depending on the access control system utilized)
<b>Emergency Mode</b>	System allows free passage (entry-exit) in both directions (fail safe). Works compatible with fire warning and similar systems. At the end of an emergency situation, system returns to its normal operating mode.
<b>Power-off Situation</b>	System allows free passage (entry-exit) in both directions (fail safe). Optionally, can be set (fail secure) as; entry-exit locked, entry free-exit locked, or entry locked-exit free. Free passage in chosen direction by manual override key in fail secure option is available.
<b>Weight</b>	~46 kg
<b>Optional Features and Accessories</b>	Automatic drop (retractable) arm, motor driven unit, wireless remote control (receiver-transmitter), manual control, manual override key (with fail secure option), coin slot and coin box, single/multiple intelligent coin/token slot and box, counter (with/without reset), card reader mounting bracket, photocell alarm sensor, passage completion sensor, contactless passage sensor (for motorized models), heater positive, top lid weight sensor, bottom plate, battery back-up, 316 grade stainless steel, RS232-RS485-TCP/IP modules, limiter, top passage indicator, electrostatic powder coating on stainless steel.







## Dimensions (mm)



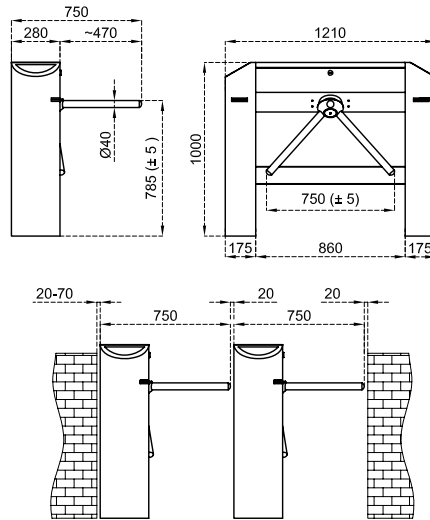
## Technical Features

<b>Place of Use</b>	Indoors.
<b>Operating Temperature, Humidity</b>	-20°C/+68°C (opt. -50°C with heater positive), RH 95% non-condensing.
<b>Operating Intensity</b>	100%, 7/24 use.
<b>Body Features</b>	<b>Material</b> : Lower body; art-line design smoke-colored (opt. other colors) layered acrylic. Top lid; 20mm thick star galaxy black natural granite (opt. other patterns and materials). Carrier legs; 304 grade stainless steel.
<b>Arms</b>	<b>Automatic Drop (Retractable) Arm</b> : Optional <b>Material</b> : Ø40x2 mm 304 grade (opt. 316 grade) stainless steel, one by one demountable. <b>Finishing</b> : Satine brushed (opt. orbital brushed matt, electrostatic powder coating on stainless steel).
<b>Indicators</b>	<b>Side Status /Direction Indicators</b> :  LED, standard. <b>Top Passage Indicator</b> :  LED, standard.
<b>Power</b>	<b>Operating Voltage</b> : 110/220V AC 50/60 Hz. (%±10), 24V DC. <b>Consumption</b> : ~3,4W at stand-by, during passage ~2,7W (varies according to the options and accessories used).
<b>Operating Modes</b>	System operates bi-directionally (entry-exit). Operating modes can be adjusted through the buttons and screen on the control card. Entry - exit controlled      Entry controlled, exit free      Entry free, exit controlled Single input both directions use      Entry - exit free
<b>Operating System</b>	Electromechanical manual operation.
<b>Control System</b>	All functions, parameters and operating modes can be adjusted through the buttons and screen on the control card. All inputs are opto-coupler protected. Controllable by dry contact (ground control). Compatible with all kinds of access control device. Optional RS232, RS485 or TCP/IP module is available.
<b>Flow Rate</b>	<b>Capacity of mechanism (manual)</b> : Max. 82 cycle/min. <b>Nominal</b> : ~30 pass/min. <b>Capacity of mechanism (motorized)</b> : - <b>Nominal</b> : - (Passage rate can change depending on the access control system utilized)
<b>Emergency Mode</b>	System allows free passage (entry-exit) in both directions (fail safe). Works compatible with fire warning and similar systems. At the end of an emergency situation, system returns to its normal operating mode.
<b>Power-off Situation</b>	System allows free passage (entry-exit) in both directions (fail safe). Optionally, can be set (fail secure) as; entry-exit locked, entry free-exit locked, or entry locked-exit free. Free passage in chosen direction by manual override key in fail secure option is available.
<b>Weight</b>	~35 kg
<b>Optional Features and Accessories</b>	Automatic drop (retractable) arm, wireless remote control (receiver-transmitter), manual control, manual override key (with fail secure option), counter (with/without reset), card reader mounting bracket, photocell alarm sensor, passage completion sensor, heater positive, bottom plate, battery back-up, 316 grade stainless steel, RS232-RS485-TCP/IP modules, limiter, various pattern, color and material choices.





Dimensions (mm)



## Technical Features

<b>Place of Use</b>	Indoors, outdoors
<b>Operating Temperature, Humidity</b>	-20°C/+68°C (opt. -50°C with heater positive), RH 95% non-condensing..
<b>Operating Intensity</b>	100%, 7/24 use.
<b>Body Features</b>	<b>Material</b> : 304 grade (opt. 316 grade) stainless steel. <b>Finishing</b> : Orbital brushed matt (opt. electrostatic powder coating on stainless steel).
<b>Arms</b>	<b>Automatic Drop (Retractable) Arm</b> : Standard <b>Material</b> : Ø40x1,2 mm 304 grade (opt. 316 grade) stainless steel, one by one demountable. <b>Finishing</b> : Satine brushed (opt. orbital brushed matt, electrostatic powder coating on stainless steel).
<b>Indicators</b>	<b>Side Status /Direction Indicators</b> :   LED, standard. <b>Top Passage Indicator</b> :   LED, standard.
<b>Power</b>	<b>Operating Voltage</b> : 110/220V AC 50/60 Hz. (%±10), 24V DC. <b>Consumption</b> : ~3,4W at stand-by, during passage ~2,7W (varies according to the options and accessories used).
<b>Operating Modes</b>	System operates bi-directionally (entry-exit). Operating modes can be adjusted through the buttons and screen on the control card. Entry - exit controlled      Entry controlled, exit free      Entry free, exit controlled Single input both directions use      Entry - exit free
<b>Operating System</b>	Electromechanical motorized operation (opt. electromechanical manual operation).
<b>Control System</b>	All functions, parameters and operating modes can be adjusted through the buttons and screen on the control card. All inputs are opto-coupler protected. Controllable by dry contact (ground control). Compatible with all kinds of access control device. Optional RS232, RS485 or TCP/IP module is available.
<b>Flow Rate</b>	<b>Capacity of mechanism (manual)</b> : Max. 82 cycle/min. <b>Nominal</b> : ~30 pass/min. <b>Capacity of mechanism (motorized)</b> : Max. 75 cycle/min. <b>Nominal</b> : ~25 pass/min. (Passage rate can change depending on the access control system utilized)
<b>Emergency Mode</b>	System allows free passage (entry-exit) in both directions by the automatic drop arm (fail safe). Works compatible with fire warning and similar systems. At the end of an emergency situation, system returns to its normal operating mode.
<b>Power-off Situation</b>	System allows free passage (entry-exit) in both directions by the automatic drop arm (fail safe). Optionally, can be set (fail secure) as; entry-exit locked, entry free-exit locked, or entry locked-exit free. Free passage in chosen direction by manual override key in fail secure option is available.
<b>Weight</b>	~48 kg
<b>Optional Features and Accessories</b>	Wireless remote control (receiver-transmitter), manual control, manual override key (with fail secure option), coin slot and coin box, single/multiple intelligent coin/token slot and box, counter (with/without reset), card reader mounting bracket, photocell alarm sensor, passage completion sensor, contactless passage sensor, heater positive, top lid weight sensor, bottom plate, battery back-up, 316 grade stainless steel, RS232-RS485-TCP/IP modules, limiter, electrostatic powder coating on stainless steel, motorized card collector unit and card collection box.



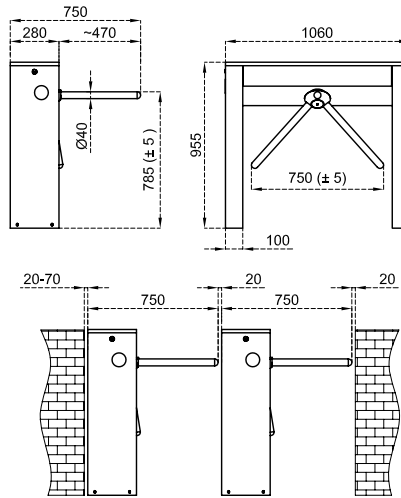






# 700 E N1



## Dimensions (mm)

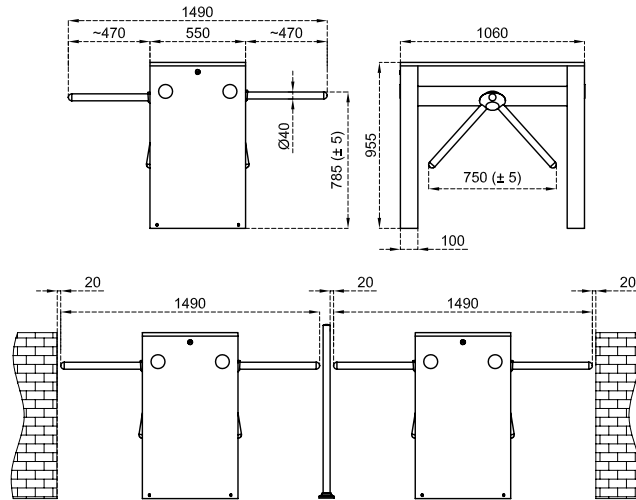


## Technical Features



<b>Place of Use</b>	Indoors, outdoors
<b>Operating Temperature, Humidity</b>	-20°C/+68°C (opt. -50°C with heater positive), RH 95% non-condensing.
<b>Operating Intensity</b>	100%, 7/24 use.
<b>Body Features</b>	<b>Material</b> : 304 grade (opt. 316 grade) stainless steel. <b>Finishing</b> : Orbital brushed matt (opt. electrostatic powder coating on stainless steel).
<b>Arms</b>	<b>Automatic Drop (Retractable) Arm</b> : Optional <b>Material</b> : Ø40x2 mm 304 grade (opt. 316 grade) stainless steel, one by one demountable. <b>Finishing</b> : Satine brushed (opt. orbital brushed matt, electrostatic powder coating on stainless steel).
<b>Indicators</b>	<b>Side Status /Direction Indicators</b> :   LED, standard.
<b>Power</b>	<b>Operating Voltage</b> : 110/220V AC 50/60 Hz. (%±10), 24V DC. <b>Consumption</b> : ~3,1W at stand-by, during passage ~2,6W (varies according to the options and accessories used).
<b>Operating Modes</b>	System operates bi-directionally (entry-exit). Operating modes can be adjusted through the buttons and screen on the control card. Entry - exit controlled      Entry controlled, exit free      Entry free, exit controlled Single input both directions use      Entry - exit free
<b>Operating System</b>	Electromechanical manual operation (opt. electromechanical motorized operation).
<b>Control System</b>	All functions, parameters and operating modes can be adjusted through the buttons and screen on the control card. All inputs are opto-coupler protected. Controllable by dry contact (ground control). Compatible with all kinds of access control device. Optional RS232, RS485 or TCP/IP module is available.
<b>Flow Rate</b>	<b>Capacity of mechanism (manual)</b> : Max. 82 cycle/min. <b>Nominal</b> : ~30 pass/min. <b>Capacity of mechanism (motorized)</b> : Max. 75 cycle/min. <b>Nominal</b> : ~25 pass/min. (Passage rate can change depending on the access control system utilized)
<b>Emergency Mode</b>	System allows free passage (entry-exit) in both directions (fail safe). Works compatible with fire warning and similar systems. At the end of an emergency situation, system returns to its normal operating mode.
<b>Power-off Situation</b>	System allows free passage (entry-exit) in both directions (fail safe). Optionally, can be set (fail secure) as; entry-exit locked, entry free-exit locked, or entry locked-exit free. Free passage in chosen direction by manual override key in fail secure option is available.
<b>Weight</b>	~35 kg
<b>Optional Features and Accessories</b>	Automatic drop (retractable) arm, motor driven unit, top passage indicator, wireless remote control (receiver-transmitter), manual control, manual override key (with fail secure option), coin slot and coin box, single/multiple intelligent coin/token slot and box, counter (with/without reset), card reader mounting bracket, photocell alarm sensor, passage completion sensor, contactless passage sensor (for motorized models), heater positive, top lid weight sensor, bottom plate, battery back-up, 316 grade stainless steel, RS232-RS485-TCP/IP modules, limiter, electrostatic powder coating on stainless steel, motorized card collector unit and card collection box.



Dimensions (mm)



## Technical Features

<b>Place of Use</b>	Indoors, outdoors
<b>Operating Temperature, Humidity</b>	-20°C/+68°C (opt. -50°C with heater positive), RH 95% non-condensing.
<b>Operating Intensity</b>	100%, 7/24 use.
<b>Body Features</b>	<b>Material</b> : 304 grade (opt. 316 grade) stainless steel. <b>Finishing</b> : Orbital brushed matt (opt. electrostatic powder coating on stainless steel).
<b>Arms</b>	<b>Automatic Drop (Retractable) Arm</b> : Optional <b>Material</b> : Ø40x2 mm 304 grade (opt. 316 grade) stainless steel, one by one demountable. <b>Finishing</b> : Satine brushed (opt. orbital brushed matt, electrostatic powder coating on stainless steel).
<b>Indicators</b>	<b>Side Status /Direction Indicators</b> :   LED, standard.
<b>Power</b>	<b>Operating Voltage</b> : 110/220V AC 50/60 Hz. (%±10), 24V DC. <b>Consumption</b> : ~6,2W at stand-by, during passage ~2,6+2,6W (varies according to the options and accessories used).
<b>Operating Modes</b>	System operates bi-directionally (entry-exit). Operating modes can be adjusted through the buttons and screen on the control card. Entry - exit controlled      Entry controlled, exit free      Entry free, exit controlled Single input both directions use      Entry - exit free
<b>Operating System</b>	Electromechanical manual operation (opt. electromechanical motorized operation).
<b>Control System</b>	All functions, parameters and operating modes can be adjusted through the buttons and screen on the control card. All inputs are opto-coupler protected. Controllable by dry contact (ground control). Compatible with all kinds of access control device. Optional RS232, RS485 or TCP/IP module is available.
<b>Flow Rate</b>	<b>Capacity of mechanism (manual)</b> : Max. 164 cycle/min. <b>Nominal</b> : ~60 pass/min. <b>Capacity of mechanism (motorized)</b> : Max. 150 cycle/min. <b>Nominal</b> : ~50 pass/min. (Passage rate can change depending on the access control system utilized)
<b>Emergency Mode</b>	System allows free passage (entry-exit) in both directions (fail safe). Works compatible with fire warning and similar systems. At the end of an emergency situation, system returns to its normal operating mode.
<b>Power-off Situation</b>	System allows free passage (entry-exit) in both directions (fail safe). Optionally, can be set (fail secure) as; entry-exit locked, entry free-exit locked, or entry locked-exit free. Free passage in chosen direction by manual override key in fail secure option is available.
<b>Weight</b>	~64 kg
<b>Optional Features and Accessories</b>	Automatic drop (retractable) arm, motor driven unit, top passage indicator, wireless remote control (receiver-transmitter), manual control, manual override key (with fail secure option), coin slot and coin box, single/multiple intelligent coin/token slot and box, counter (with/without reset), card reader mounting bracket, photocell alarm sensor, passage completion sensor, contactless passage sensor (for motorized models), heater positive, top lid weight sensor, bottom plate, battery back-up, 316 grade stainless steel, RS232-RS485-TCP/IP modules, limiter, electrostatic powder coating on stainless steel, motorized card collector unit and card collection box.







## TURNSTILES FOR REDUCED MOBILITY

32	605
33	605 D
34	705 E N1
35	705 E N1 D















GIRİŞ

GIRİŞ



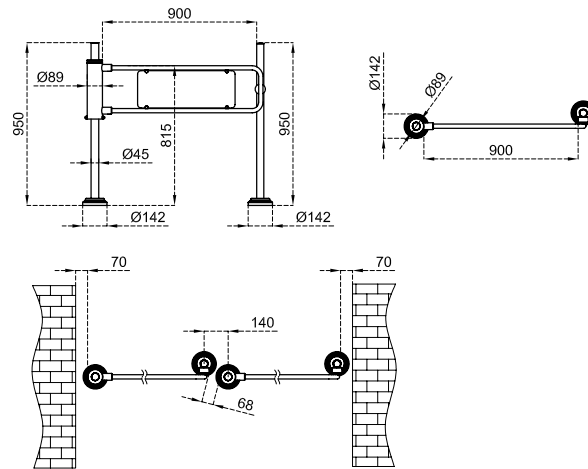
## FREE PASSAGE TURNSTILES

40 SWG 101  
41 MRKT 404

# SWG 101



## Dimensions (mm)



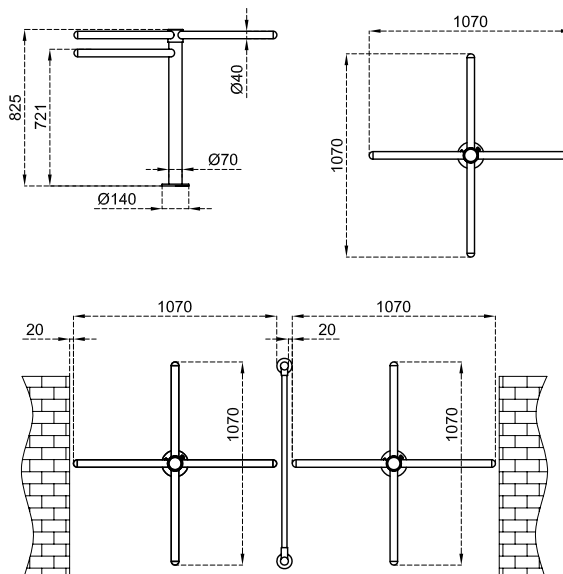
## Technical Features

<b>Place of Use</b>	Indoors, outdoors (with wing adaptation)
<b>Operating Intensity</b>	100%, 7/24 use.
<b>Body Features</b>	<b>Material</b> : Ø89x3 mm 304 grade stainless steel. <b>Finishing</b> : Satine brushed (opt. orbital brushed matt, electrostatic powder coating on stainless steel).
<b>Wing</b>	<b>Material</b> : Ø27x2 mm 304 grade stainless steel pipe with acrylic infill. <b>Finishing</b> : Satine brushed (opt. orbital brushed matt, electrostatic powder coating on stainless steel).
<b>Power</b>	<b>Operating Voltage</b> : No power for standard model (opt. 24V DC (250mA) for 35 kg electromagnetic lock).
<b>Operating Mode</b>	System operates uni-directionally (clockwise or counter clockwise). Wing, opening 90° by pushing comes back to its original position thanks to the spring system ensuring the closing of the wing.
<b>Operating System</b>	Mechanical manual operation.
<b>Emergency Mode</b>	Electromagnetic lock (if any) is deactivated during the emergency contact, and the wing is pushed manually to create a free passageway.
<b>Power-off Situation</b>	Electromagnetic lock (if any) becomes disabled, and the wing is pushed manually to create a free passageway.
<b>Weight</b>	~15 kg
<b>Optional Features and Accessories</b>	Electromagnetic lock, wireless remote control (receiver-transmitter, with electromagnetic lock option), manual control (with electromagnetic lock option), key lock pole, bottom plate, electrostatic powder coating on stainless steel.





## Dimensions (mm)



## Technical Features

<b>Place of Use</b>	Indoors, outdoors (with wing adaptation)
<b>Operating Intensity</b>	100%, 7/24 use.
<b>Body Features</b>	<b>Material</b> : Ø70x2 mm 304 grade stainless steel. <b>Finishing</b> : Satine brushed (opt. orbital brushed matt, electrostatic powder coating on stainless steel).
<b>Arms</b>	<b>Material</b> : Ø40x2 mm 304 grade stainless steel pipe, Ø42x2,5 mm red painted steel anti-return arm <b>Finishing</b> : Satine brushed (opt. orbital brushed matt, electrostatic powder coating on stainless steel).
<b>Operating Mode</b>	System operates uni-directionally (clockwise or counter clockwise).
<b>Operating System</b>	Manual operation turning by pushing.
<b>Weight</b>	~15 kg
<b>Optional Features and Accessories</b>	Bottom plate



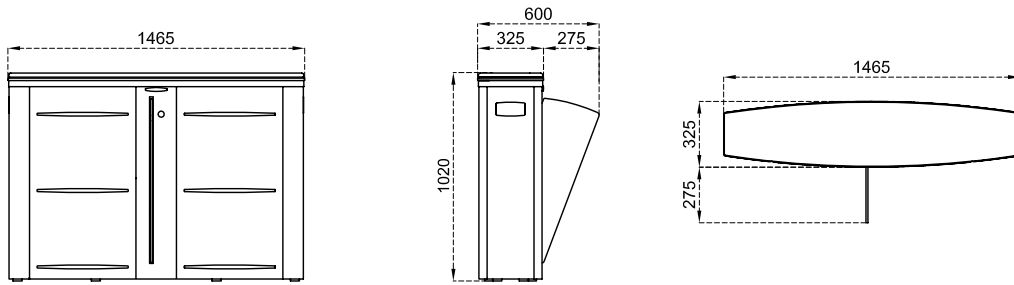
## SPEED GATES

44	HG 01
46	HG 02 GL
50	HG 02 GL DP
52	SG 55 SLIDING GATE
56	SG 90 SLIDING GATE
58	PG 03 55 PADDLE GATE
60	PG 03 90 PADDLE GATE

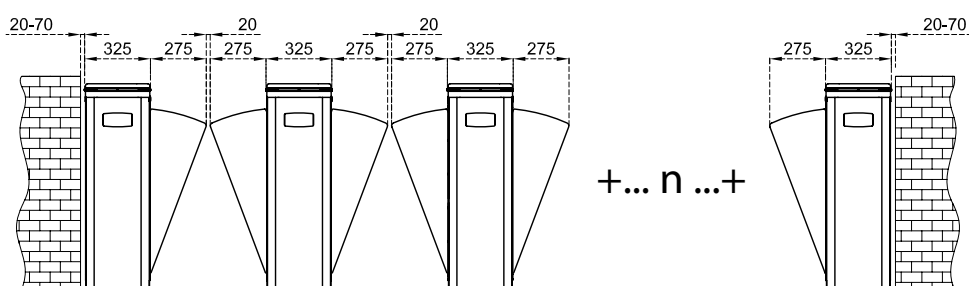
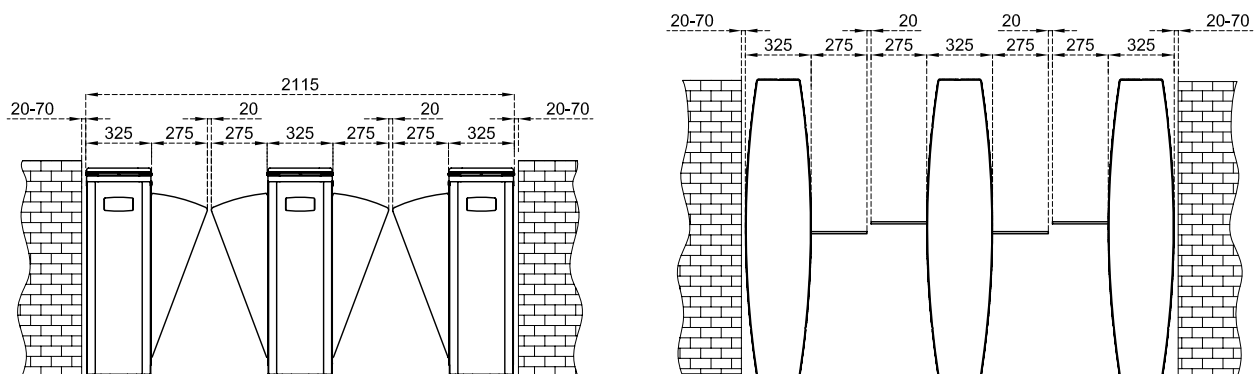
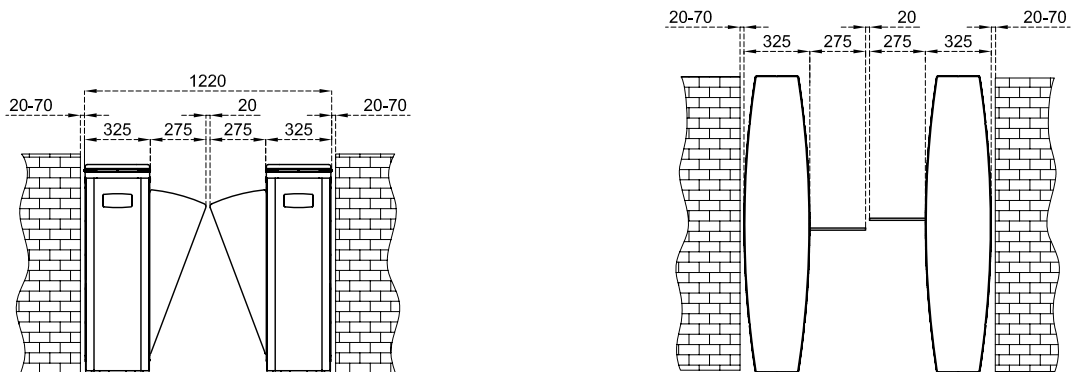
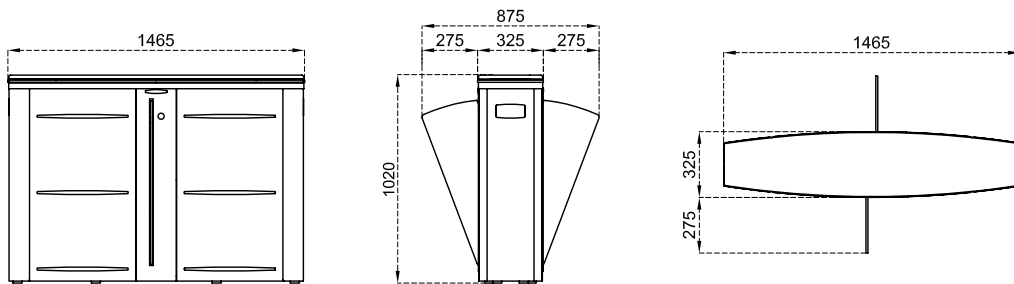


## Dimensions (mm)

HG 01-S : SINGLE UNIT (LEFT or RIGHT)



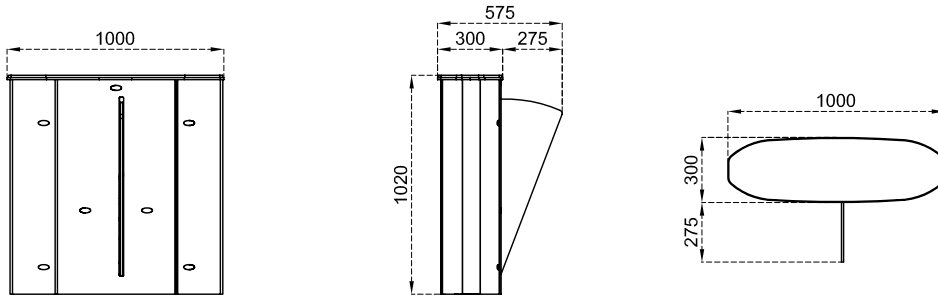
HG 01-C: CENTER UNIT



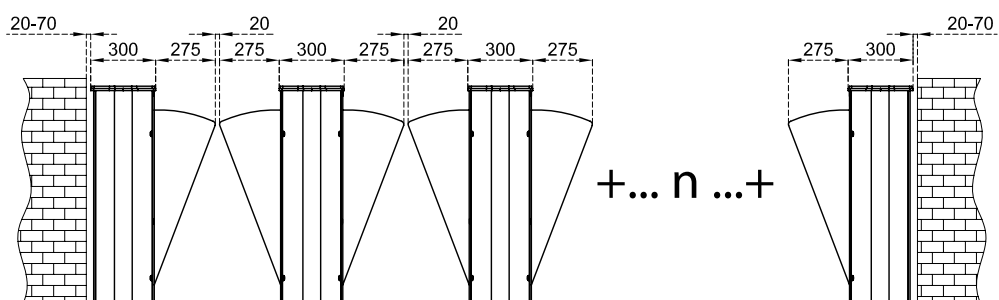
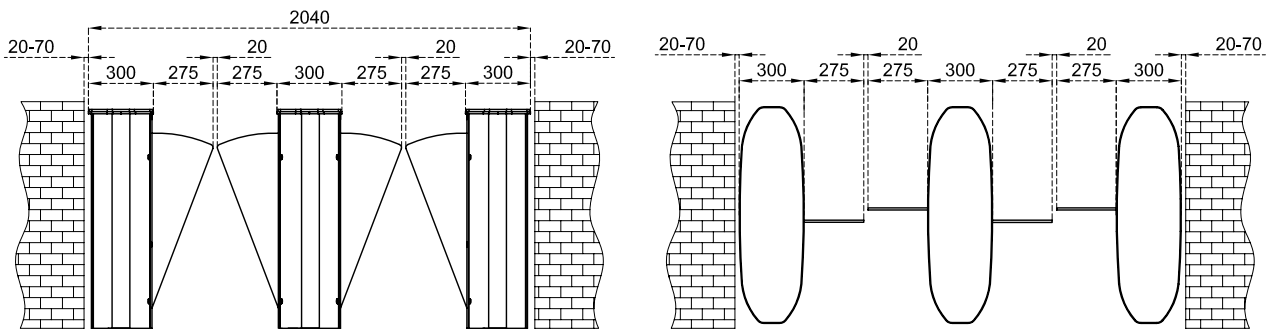
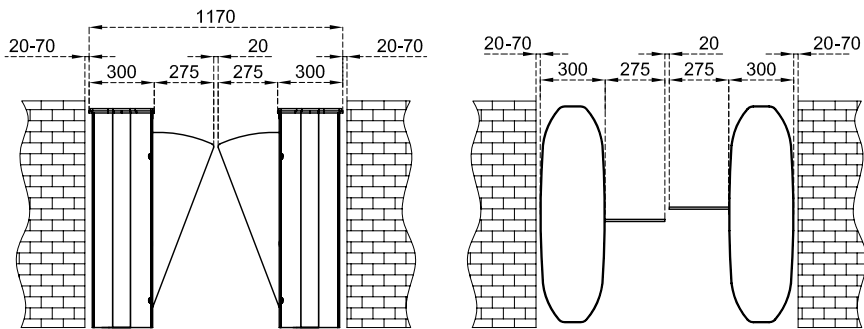
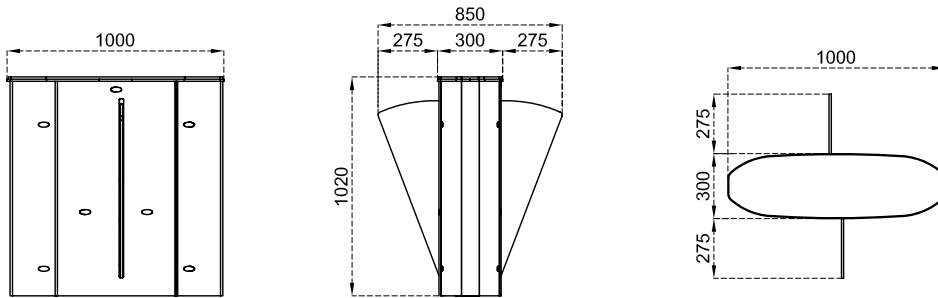


Dimensions (mm)

HG 02 GL-S : SINGLE UNIT (LEFT or RIGHT)



HG 02 GL-C : CENTER UNIT



\*Design and specifications are subject to change without notice.







# HG 02 GL DP

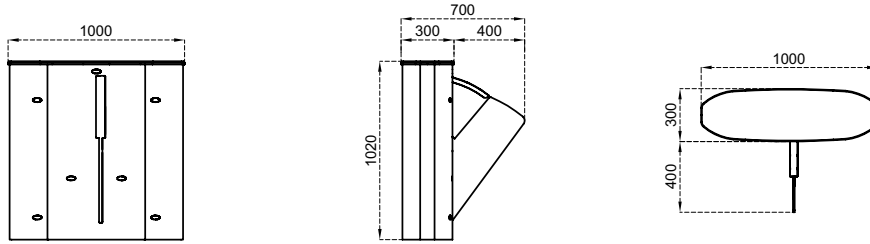


## Technical Features

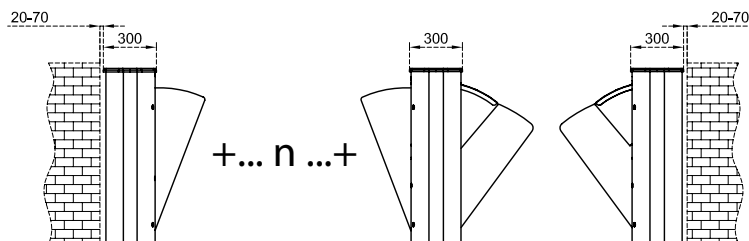
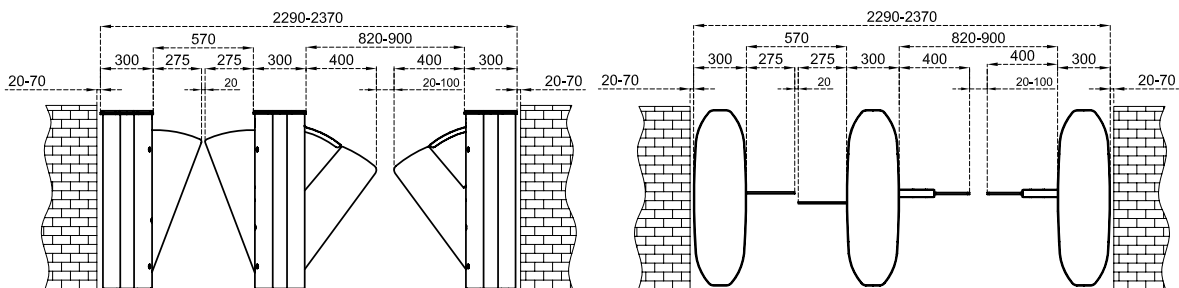
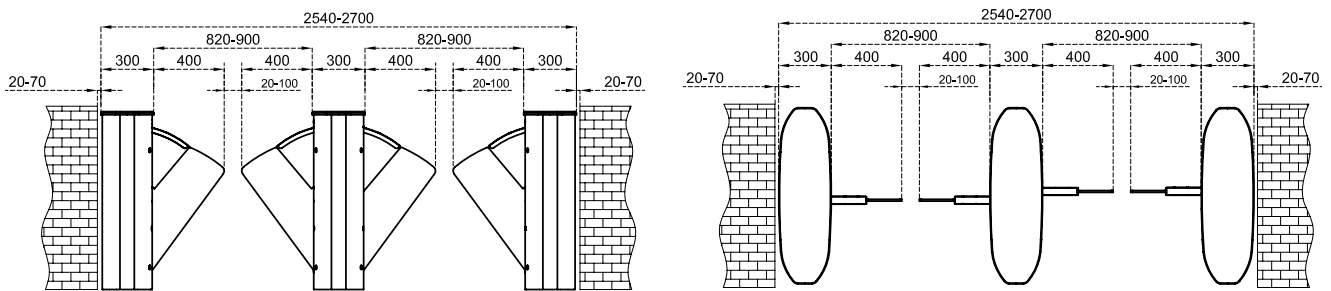
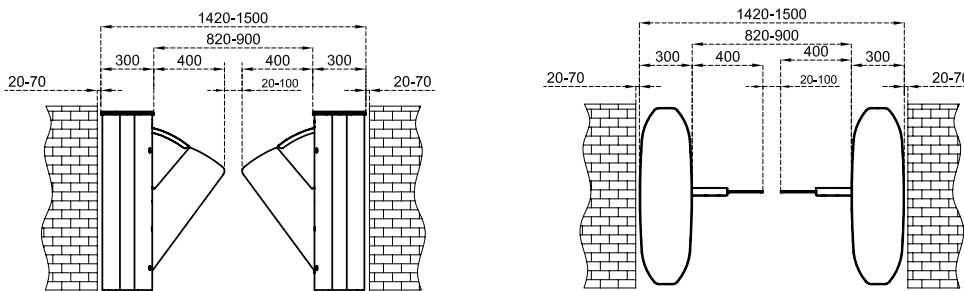
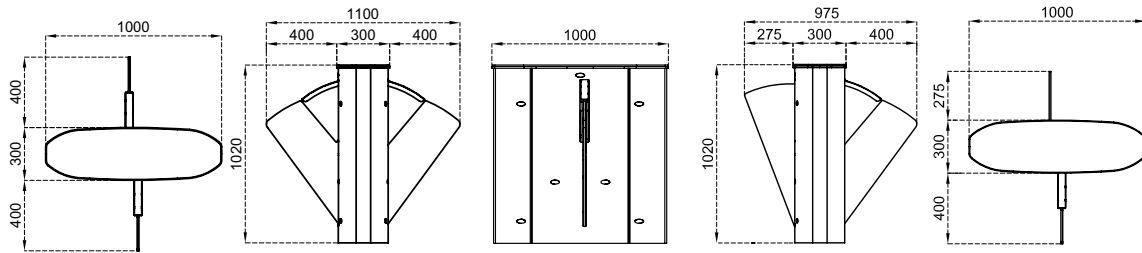
<b>Place of Use</b>	Indoors.	
<b>Operating Temperature, Humidity</b>	-20°C/+68°C (opt. -50°C with heater positive), RH 95% non-condensing.	
<b>Operating Intensity</b>	100%, 7/24 use.	
<b>Material Specifications</b>	<b>Body</b>	304 grade (opt. 316 grade) satine brushed stainless steel.
	<b>Top Lid</b>	10 mm black tempered glass (opt. other materials), choice of top lid hollowed for surface mounted access control device is also available.
	<b>Wings</b>	RGB LED illuminated 10 mm tempered glass.
<b>Indicators</b>	<b>Passage / Direction Indicators</b> : RGB LED under top lid and wings standard (opt. sliding asteroid animated LED indicators on top lid).	
<b>Power</b>	<b>Operating Voltage</b> : 110/220V AC 50/60 Hz. (±10%), 24V DC. <b>Consumption (single)</b> : 4W at stand-by, max ~80W <b>Consumption (center)</b> : 8W at stand-by, max ~80+80W (varies according to the options and accessories used)	
<b>Operating Modes</b>	System operates bi-directionally (entry-exit). Operation modes can be changed through dip switch. Entry - exit controlled                      Entry - exit free Entry controlled, exit free                      Exit controlled, entry free	
<b>Operating System</b>	Suitable for passage with wheelchairs, suitcases and trolleys with clear passage width up to 900 mm. Electromechanical motorised system with electronic torque and sensor controls that provides wing movement retracting inside the body for rapid passages. A passage lane consists of min. 2 pieces of single units facing each other. Electromechanical motorized wings are closed at stand-by (opt. open). Person requests authorisation from the access control device (3rd party device) connected to the gate's entry system. Upon authorisation, wings open, passage of the person is monitored by the multi-sensors along the passageway and wings close upon completion of the passage. In case of subsequent access authorisations, wings keep open until the last person completes his passage and then close. Wings do not move and do not harm the person in case the person is between the wings thanks to the sensors. In addition, electronic torque control system is continuously active during closing of the wings. Systems generates audio/visual alarm in case of tailgating or illegal passage attempts. System message codes can be monitored from the internal diagnostic screen.	
<b>Control System</b>	All functions, parameters and operating modes can be changed through the control board (microprocessor controlled). All inputs are opto-coupler protected. Controllable by dry contact (ground control). Compatible with all kinds of access control device. Optional RS232, RS485 or TCP/IP module is available.	
<b>Flow Rate</b>	<b>Wing opening / closing time</b> : ~0,8 sec. <b>Free passage mode</b> : ~60 pass/min. <b>Nominal</b> : ~30 pass/min. (passage rate can change depending on the access control system utilized)	
<b>Emergency Mode</b>	Wings provide a free passageway by automatically retracting inside the body (fail safe). Works compatible with fire warning and similar systems. At the end of an emergency situation, system returns to its normal operating mode.	
<b>Power-off Situation</b>	Wings provide a free passageway by automatically retracting inside the body through internal battery (fail safe).	
<b>Weight</b>	<b>Single</b> : ~70 kg <b>Center</b> : ~85 kg	
<b>Optional Features and Accessories</b>	Wireless remote control (receiver-transmitter), manual control, coin slot and coin box, single/multiple intelligent coin/token slot and box, heater positive, top lid weight sensor, bottom plate, battery back-up, 316 grade stainless steel, RS232-RS485-TCP/IP modules, sliding asteroid animated LED indicator, different outer body materials (mirror black, bronze, etc), motorized card collector unit and card collection box.	

Dimensions (mm)

HG 02 GL DP-S : SINGLE UNIT (LEFT or RIGHT)



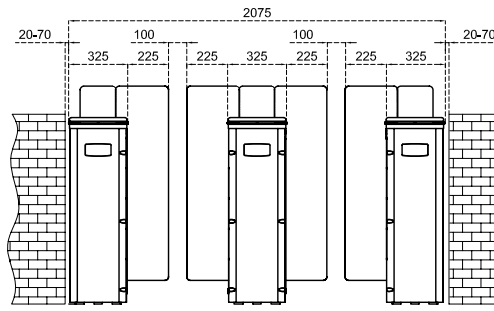
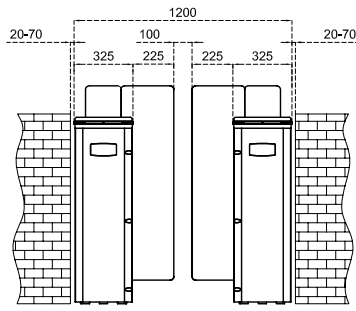
HG 02 GL DP-C: CENTER UNIT



\*Design and specifications are subject to change without notice.

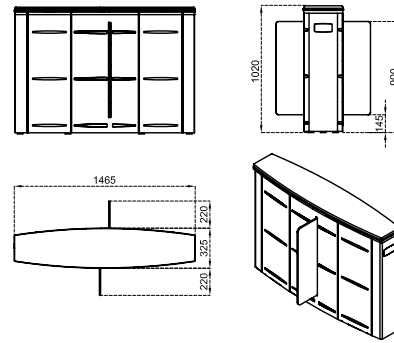
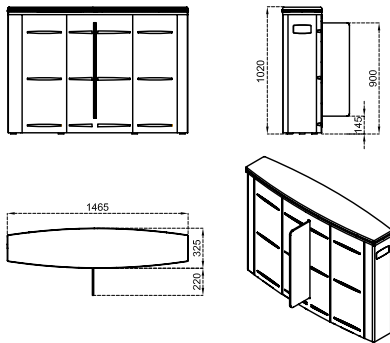


Dimensions (mm)



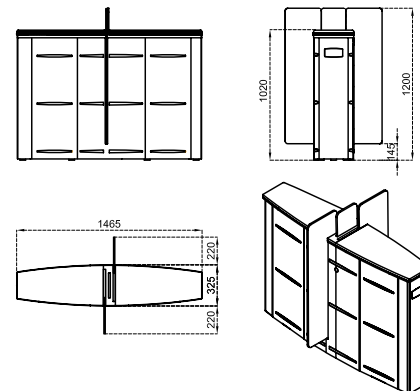
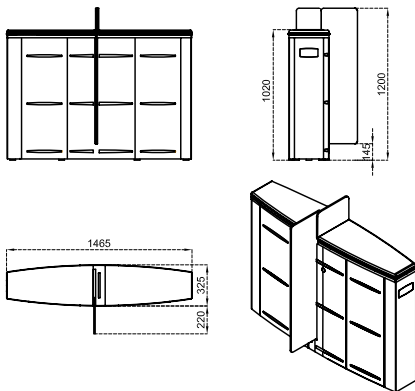
SG 55 S-S  
Glass Wing Height : 900 mm

SG 55 S-C  
Glass Wing Height : 900 mm



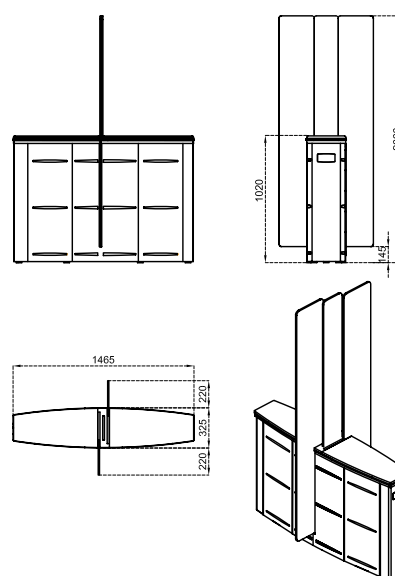
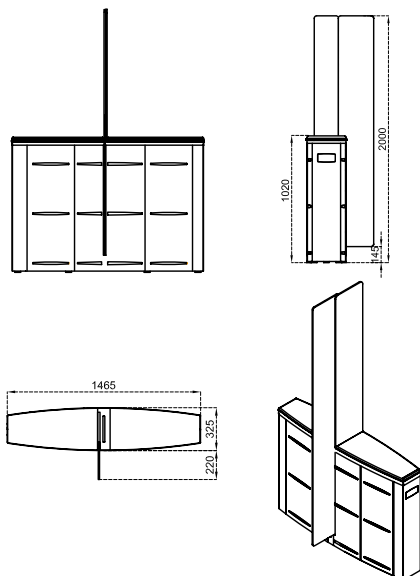
SG 55 M-S  
Glass Wing Height : 1200 mm

SG 55 M-C  
Glass Wing Height : 1200 mm



SG 55 T-S  
Glass Wing Height : 2000 mm

SG 55 T-C  
Glass Wing Height : 2000 mm



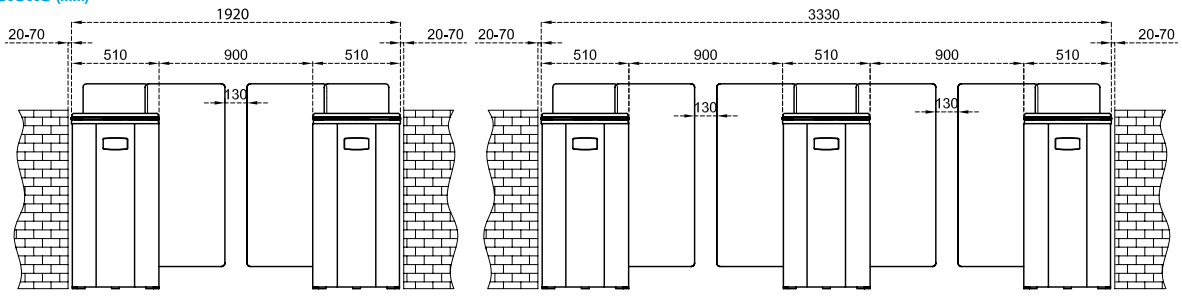




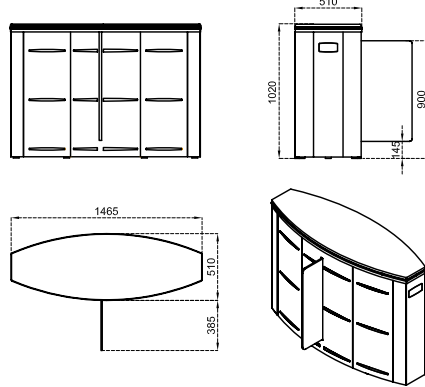




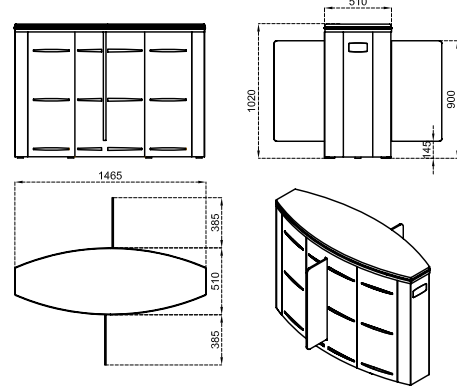
Dimensions (mm)



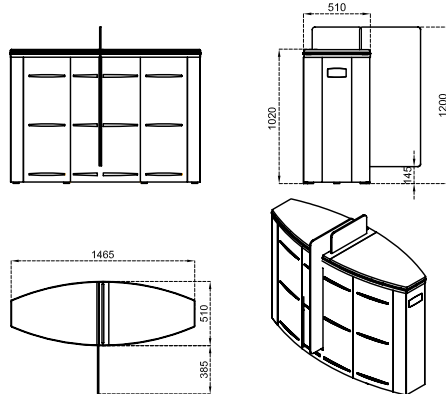
SG 90 S-S  
Glass Wing Height: 900 mm



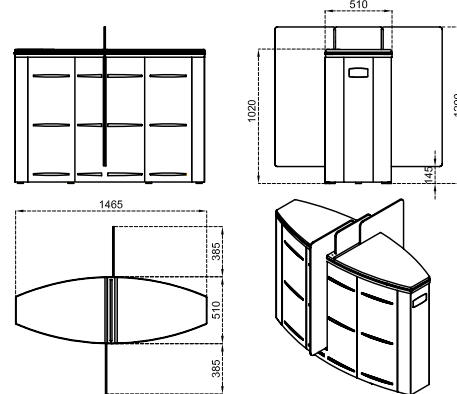
SG 90 S-C  
Glass Wing Height: 900 mm



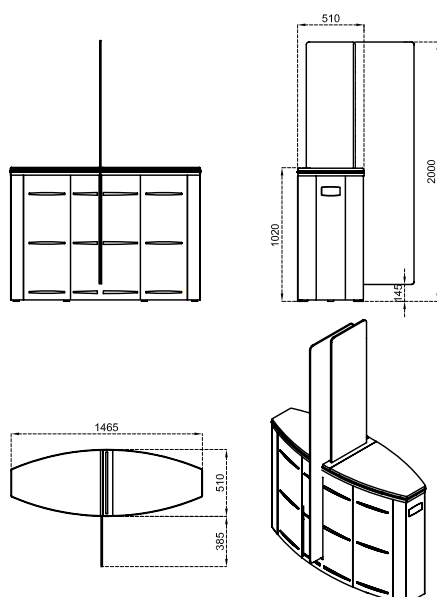
SG 90 M-S  
Glass Wing Height: 1200 mm



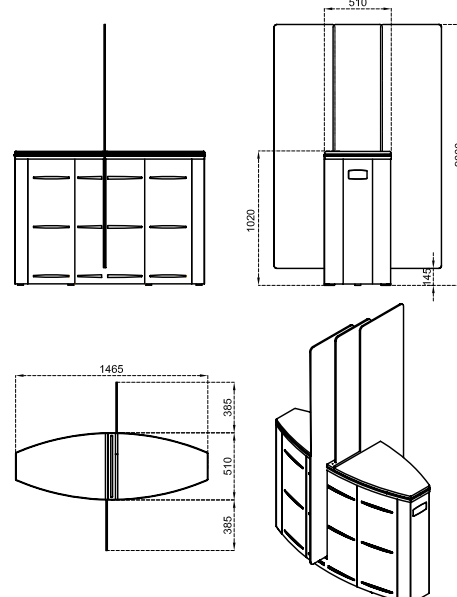
SG 90 M-C  
Glass Wing Height: 1200 mm



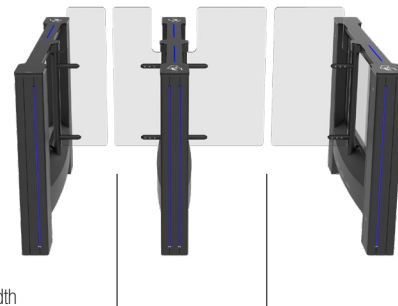
SG 90 T-S  
Glass Wing Height: 2000 mm



SG 90 T-C  
Glass Wing Height: 2000 mm



# PG 03 55 PADDLE GATE

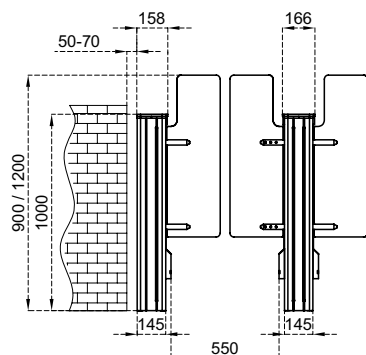
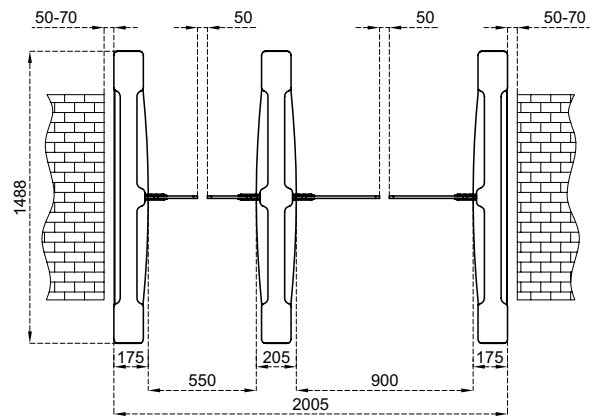
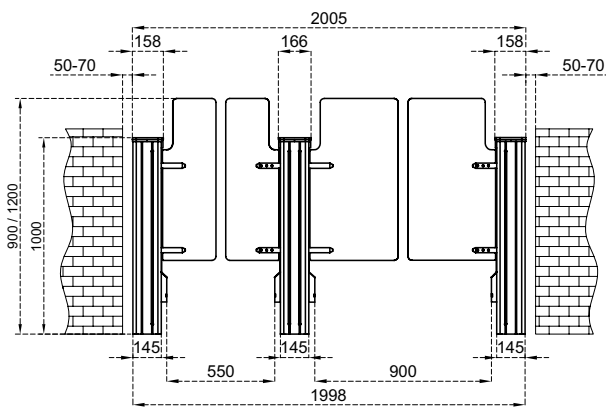
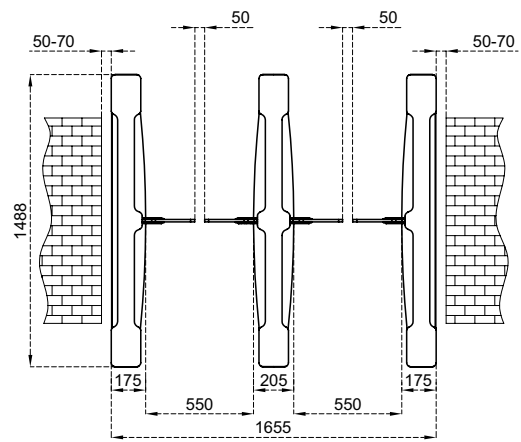
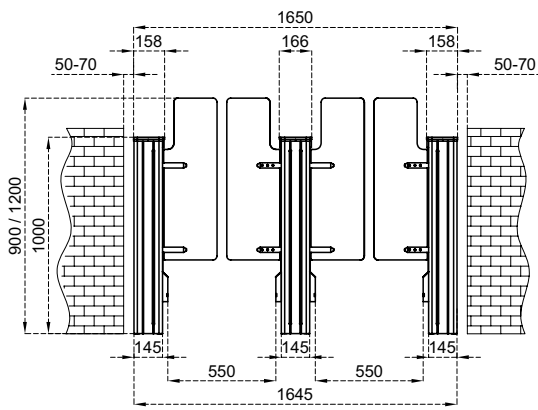
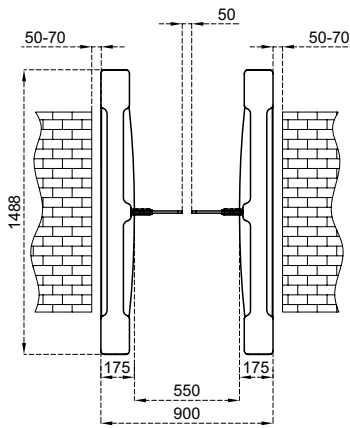
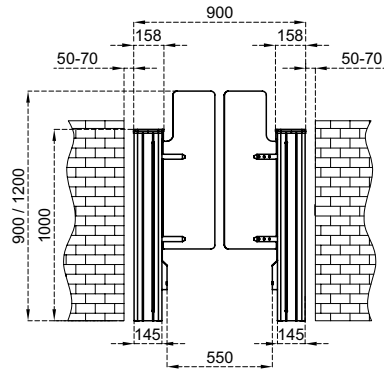


550 & 900 mm net passage width combinations can be created.

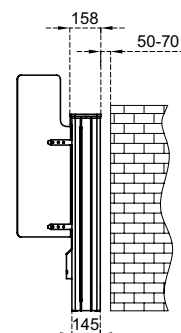
## Technical Features

<b>Place of Use</b>	Indoors.	
<b>Operating Temperature, Humidity</b>	-20°C/+68°C (opt. -50°C with heater positive), RH 95% non-condensing.	
<b>Operating Intensity</b>	100%, 7/24 use.	
<b>Material Specifications</b>	<b>Body</b>	304 grade (opt. 316 grade) satine brushed stainless steel, acrylic panel side walls.
	<b>Top Lid</b>	10 mm black tempered glass .
	<b>Wings</b>	10 mm tempered glass with 900 – 1200 – optionally 1500 mm wing height choices.
<b>Indicators</b>	<b>Direction and Passage Indicators :</b> Vertical LED and sliding asteroid animated LED on top lid standard.	
<b>Power</b>	<b>Operating Voltage</b>	: 110/220V AC 50/60 Hz. (±10%), 24V DC.
	<b>Consumption (single)</b>	: 8W at stand-by, max ~38W
<b>Operating Modes</b>	<b>Consumption (center)</b>	: 16W at stand-by, max ~38+38W (varies according to the options and accessories used)
	System operates bi-directionally (entry-exit). Operation modes can be changed through dip switch.	
	Entry - exit controlled	Entry - exit free
<b>Operating System</b>	Entry controlled, exit free	Exit controlled, entry free
	Electromechanical motorised system with electronic torque and sensor controls that provides wing movement swinging to passage direction for rapid passages.	
	A passage lane consists of min. 2 pieces of single units facing each other.	
	Electromechanical motorized wings are closed at stand-by (opt. open). Person requests authorisation from the access control device (3rd party device) connected to the gate's entry system. Upon authorisation, wings open, passage of the person is monitored by the multi-sensors along the passageway and wings close upon completion of the passage. In case of subsequent access authorisations, wings keep open until the last person completes his passage and then close.	
	Wings do not move and do not harm the person in case the person is between the wings thanks to the sensors. In addition, electronic torque control system is continuously active during closing of the wings.	
	Sensors along the passageway detects suitcase providing secure and comfortable passages. Systems generates audio/visual alarm in case of tailgating or illegal passage attempts. System message codes can be monitored from the internal diagnostic screen.	
<b>Control System</b>	All functions, parameters and operating modes can be changed through the control board (microprocessor controlled). All inputs are opto-coupler protected.	
	Controllable by dry contact (ground control). Compatible with all kinds of access control device. Optional RS232, RS485 or TCP/IP module is available.	
	<b>Flow Rate</b>	<b>Wing opening / closing time</b> : ~0,8-1,2 sec. (depending on the wing height) <b>Free passage mode</b> : ~50 pass/min. <b>Nominal</b> : ~25 pass/min. (passage rate can change depending on the access control system utilized)
<b>Emergency Mode</b>	Wings provide a free passageway by automatically opening to the preferred direction adjustable by dip-switch (fail safe). Works compatible with fire warning and similar systems. At the end of an emergency situation, system returns to its normal operating mode.	
<b>Power-off Situation</b>	Wings provide a free passageway pushed manually to either entry or exit direction (fail safe). Wings provide a free passageway by automatically opening to the preferred direction with the optional internal battery adjustable by dip-switch.	
<b>Weight</b>	<b>Single</b> : ~70 kg <b>Center</b> : ~85 kg	
<b>Optional Features and Accessories</b>	Wireless remote control (receiver-transmitter), manual control, coin slot and coin box, single/multiple intelligent coin/token slot and box, card reader mounting bracket, heater positive, top lid weight sensor, bottom plate, battery back-up, internal battery, 316 grade stainless steel, RS232-RS485-TCP/IP modules, different outer body materials (mirror black, bronze, etc), stainless steel top lid, different wing heights, motorized card collector unit and card collection box.	

## Dimensions (mm)

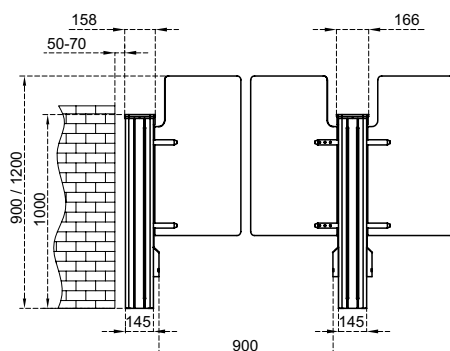
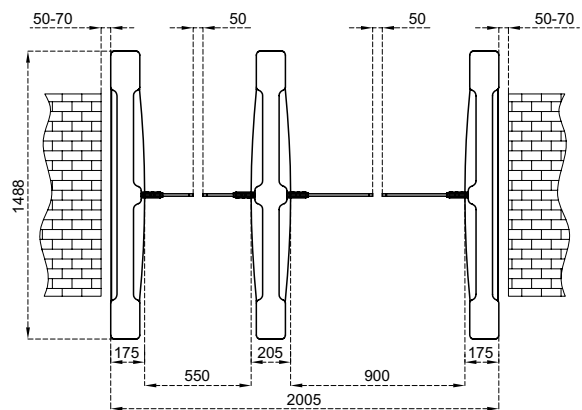
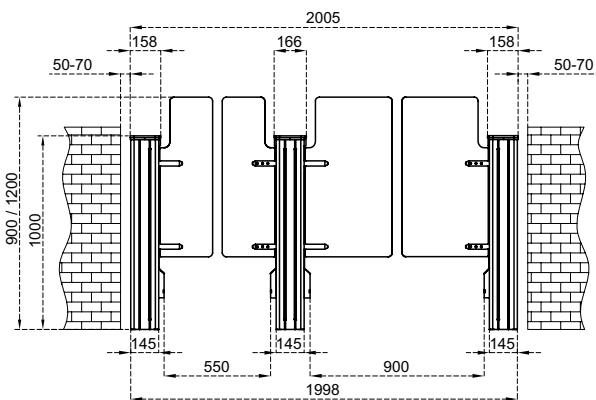
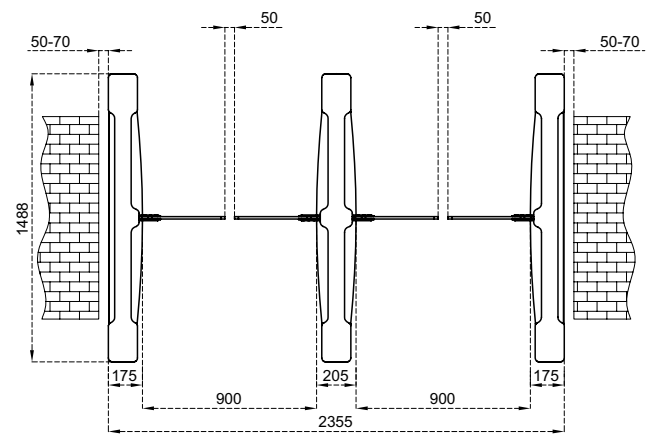
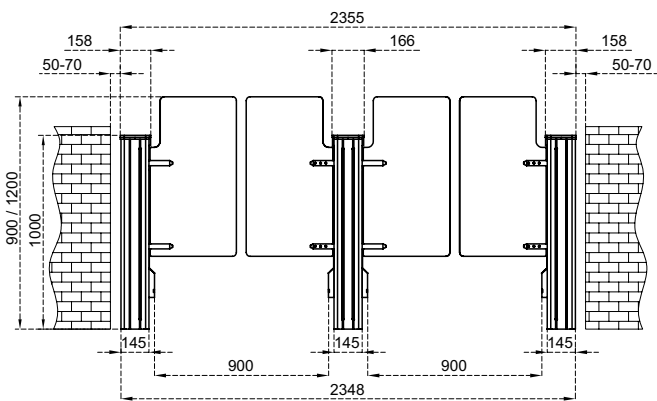
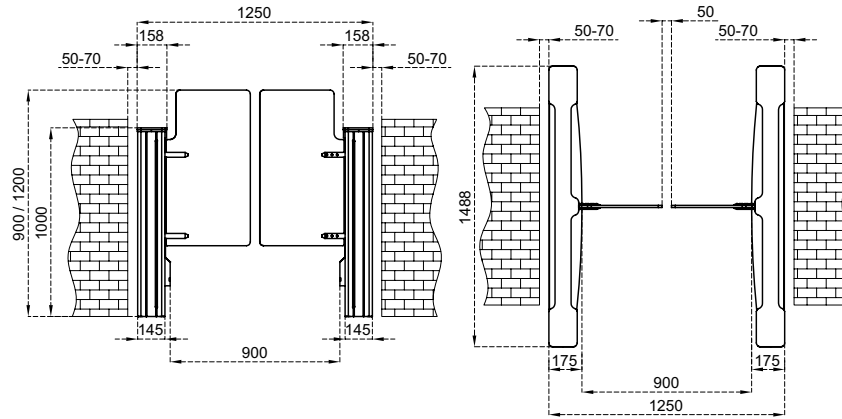


+ ... n ... +

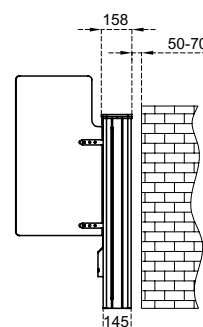




## Dimensions (mm)



+ ... n ... +





## GLASS LINE

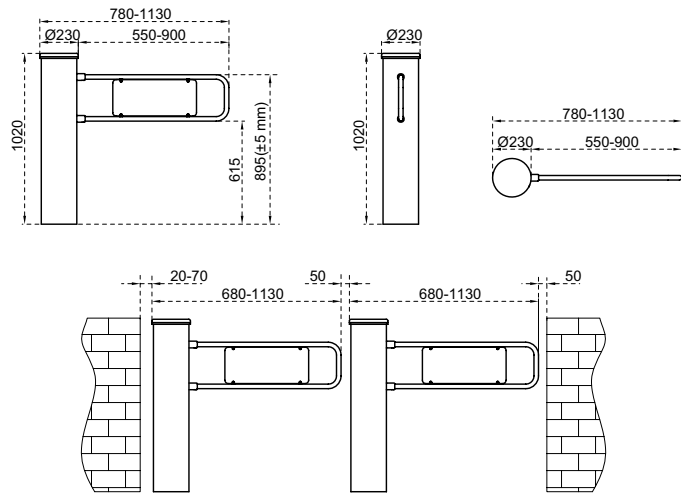
64	GL A1
65	GL B1
67	GL A2







Dimensions (mm)



## Technical Features

<b>Place of Use</b>	Indoors, outdoors. (If the top lid is modified to mounth a reader bracket or similar accessory, the product shall be used indoors only.)	
<b>Operating Temperature, Humidity</b>	-20°C/+68°C (opt. -50°C with heater positive), RH 95% non-condensing.	
<b>Operating Intensity</b>	100%, 7/24 use.	
<b>Material Features</b>	<b>Body</b>	304 grade (opt. 316 grade) satine brushed stainless steel.
	<b>Top Lid</b>	10 mm black tempered glass, choice of top lid hollowed for surface mounted access control device is also available.
	<b>Wing</b>	Single piece special formed Ø27x2 mm, 304 grade (opt. 316 grade) satine brushed stainless steel frame infilled with acrylic panel wing with 550-900 mm wing width choices.
<b>Indicators</b>	<b>Direction and Passage Indicators</b> : RGB LED under top lid standard.	
<b>Power</b>	<b>Operating Voltage</b>	: 110/220V AC 50/60 Hz. (±10%), 24V DC.
	<b>Consumption</b>	: ~2 W at stand-by, max ~30 W (varies according to the options and accessories used).
<b>Operating Modes</b>	System operates bi-directionally (entry-exit). Operating modes can be adjusted through the buttons and screen on the control card.	
	Entry - exit controlled	Entry - exit free (with optional photo-cell)
	Entry controlled, exit free (with optional photocell)	Exit controlled, entry free (with optional photocell)
<b>Operating System</b>	Electromechanical motorized operation.	
<b>Control System</b>	All functions, parameters and operating modes can be adjusted through the buttons and screen on the control card.	
	All inputs are opto-coupler protected.	
	Controllable by dry contact (ground control).	
	Compatible with all kinds of access control device. Optional RS232, RS485 or TCP/IP module is available.	
<b>Flow Rate</b>	Wing opening / closing time : 1,5 - 2,0 sec.	
<b>Emergency Mode</b>	System provides a free passageway (entry-exit) by opening the wing in preferred direction configured by dip switch (fail safe). Works compatible with fire warning and similar systems. At the end of an emergency situation, system returns to its normal operating mode.	
<b>Power-off Situation</b>	System provides a free passageway (entry-exit) by manually pushing the wing towards entry or exit directions (fail safe).	
<b>Weight</b>	~41 kg	
<b>Optional Features and Accessories</b>	Wireless remote control (receiver-transmitter), manual control, counter (with/without reset), card reader mounting bracket, heater positive, bottom plate, battery back-up, 316 grade stainless steel, RS232-RS485-TCP/IP modules, different outer body materials (mirror black, bronze, etc), different top lid materials (stainless steel, natural granite, etc), photocell for free mode.	





LERDEN GEÇİREMEDİĞİNİZ  
ve PAKETLERİNİZ İÇİN  
460 16 70 1 ARAYINIZ



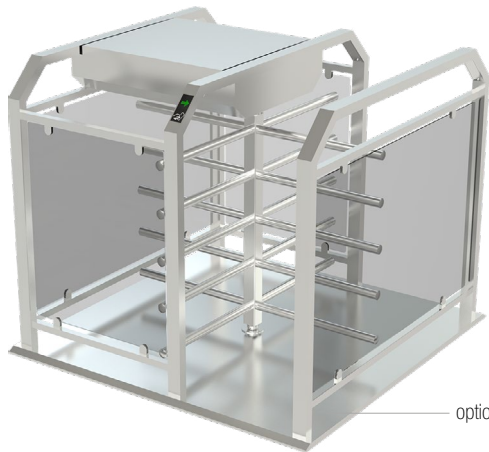
GARAJ İLE İLGİLİ  
SORUNLARINIZ İÇİN  
0212 460 11 08  
ARAYINIZ.  
İDARİ İŞLER



## HALF HEIGHT TURNSTILES

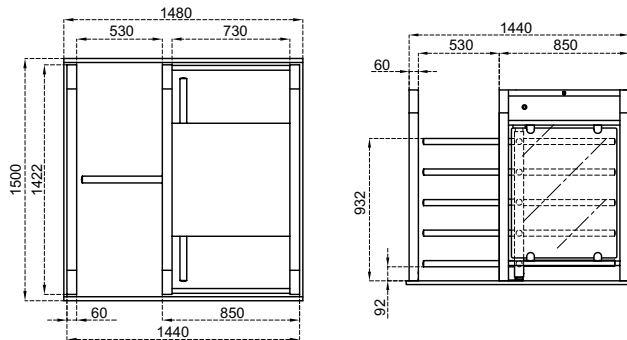
70	HT 400
71	HT 400 D

# HT 400



optional bottom plate

## Dimensions (mm)



## Technical Features

**Place of Use** Indoors, outdoors

**Operating Temperature, Humidity** -20°C/+68°C (opt. -50°C with heater positive), RH 95% non-condensing.

**Operating Intensity** 100%, 7/24 use.

Built on box beam main carriers and contains waterproof protecting top lid.  
Four-section rotor (90°), each having 5 one by one demountable arms.

Combination options with different material choices:

Body / Arm Features	HT 400	HT 400-25	HT 400-100
<b>Body</b>	Electrostatic powder coating on hot-dip galvanized steel	Electrostatic powder coating on hot-dip galvanized steel	304 grade (opt. 316 grade)* stainless steel
<b>Arms</b>	Electrostatic powder coating on hot-dip galvanized steel, Ø42x2,5 mm.	304 grade (opt. 316 grade)* stainless steel, Ø40x2,0 mm.	304 grade (opt. 316 grade)* stainless steel, Ø40x2,0 mm.

(\* Finishing : Satine brushed (opt. electrostatic powder coating on stainless steel).

**Indicators** **Status - Direction Indicators** : DOT MATRIX LED, standard.  
**Passage Indicators** : LED standard.

**Power** **Operating Voltage** : 110/220V AC 50/60 Hz. (±10%), 24V DC.  
**Consumption** : ~14W at stand-by, max ~50W (varies according to the options and accessories used).

**Operating Modes** System operates bi-directionally (entry-exit).  
Operating modes can be adjusted through the buttons and screen on the control card.  
Entry - exit controlled                      Entry controlled, exit free                      Entry free, exit controlled  
Single input both directions use                      Entry - exit free

**Operating System** Electromechanical manual operation (opt. electromechanical motorized operation).

**Control System** All functions, parameters and operating modes can be adjusted through the buttons and screen on the control card.  
All inputs are opto-coupler protected.  
Controllable by dry contact (ground control).  
Compatible with all kinds of access control device.  
Optional RS232, RS485 or TCP/IP module is available.

**Flow Rate** **Passage capacity (manual)** : max. 50 cycle/min. **Nominal** : ~25 pass/min.  
**Passage capacity (motorized)** : max. 34 cycle/min. **Nominal** : ~18 pass/min.  
(nominal passage rate can change depending on the access control system utilized)

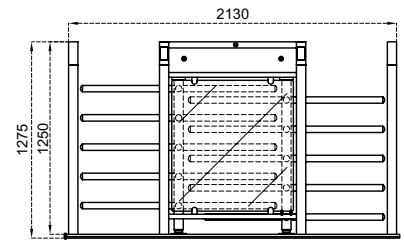
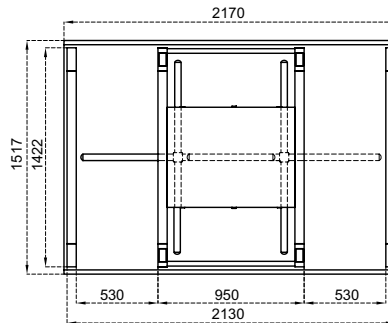
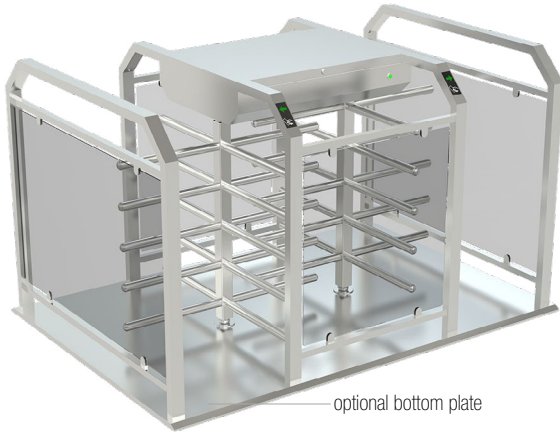
**Emergency Mode** System allows free passage (entry-exit) in both directions (fail safe). Works compatible with fire warning and similar systems. At the end of an emergency situation, system returns to its normal operating mode.

**Power-off Situation** System allows free passage (entry-exit) in both directions (fail safe). Optionally, can be set (fail secure) as; entry-exit locked, entry free-exit locked, or entry locked-exit free. Free passage in chosen direction by manual override key in fail secure option is available.

**Weight** ~150 kg

**Optional Features and Accessories** Motor driven unit, wireless remote control (receiver-transmitter), manual control, manual override key (with fail secure option), counter (with/without reset), card reader mounting bracket, passage completion sensor, contactless passage sensor (for motorized models), heater positive, bottom plate (standard or for forklift handling), battery back-up, 316 grade stainless steel, RS232-RS485-TCP/IP modules, limiter, different color choices.

## Dimensions (mm)



## Technical Features

**Place of Use** Indoors, outdoors

**Operating Temperature, Humidity** -20°C/+68°C (opt. -50°C with heater positive), RH 95% non-condensing.

**Operating Intensity** 100%, 7/24 use.

Built on box beam main carriers and contains waterproof protecting top lid.  
Four-section rotor (90°), each having 5 one by one demountable arms.

Combination options with different material choices:

Body / Arm Features	HT 400 D	HT 400 D-25	HT 400 D-100
<b>Body</b>	Electrostatic powder coating on hot-dip galvanized steel	Electrostatic powder coating on hot-dip galvanized steel	304 grade (opt. 316 grade)* stainless steel
<b>Arms</b>	Electrostatic powder coating on hot-dip galvanized steel, Ø42x2,5 mm.	304 grade (opt. 316 grade)* stainless steel, Ø40x2,0 mm.	304 grade (opt. 316 grade)* stainless steel, Ø40x2,0 mm.

(\*) Finishing : Satine brushed (opt. electrostatic powder coating on stainless steel).

**Indicators** **Status - Direction Indicators** : DOT MATRIX LED, standard.  
**Passage Indicators** : LED standard.

**Power** **Operating Voltage** : 110/220V AC 50/60 Hz. (±10%), 24V DC.  
**Consumption** : ~28W at stand-by, max ~50+50W (varies according to the options and accessories used).

**Operating Modes** System operates bi-directionally (entry-exit).  
Operating modes can be adjusted through the buttons and screen on the control card.  
Entry - exit controlled      Entry controlled, exit free      Entry free, exit controlled  
Single input both directions use      Entry - exit free

**Operating System** Electromechanical manual operation (opt. electromechanical motorized operation).

**Control System** All functions, parameters and operating modes can be adjusted through the buttons and screen on the control card.  
All inputs are opto-coupler protected.  
Controllable by dry contact (ground control).  
Compatible with all kinds of access control device.  
Optional RS232, RS485 or TCP/IP module is available.

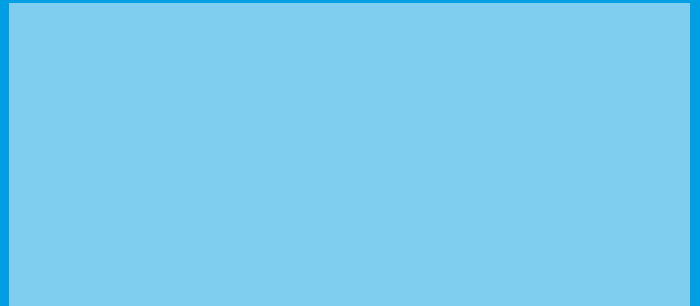
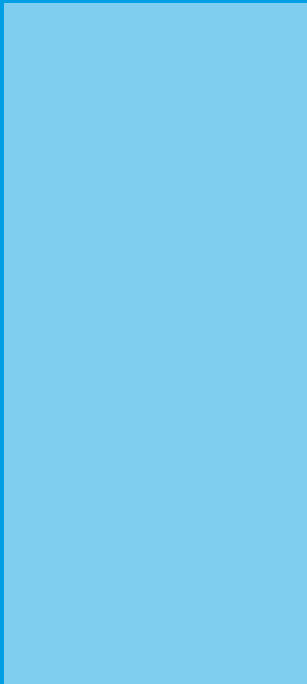
**Flow Rate** **Passage capacity (manual)** : max. 100 cycle/min. **Nominal** : ~50 pass/min.  
**Passage capacity (motorized)** : max. 68 cycle/min. **Nominal** : ~36 pass/min.  
(nominal passage rate can change depending on the access control system utilized)

**Emergency Mode** System allows free passage (entry-exit) in both directions (fail safe). Works compatible with fire warning and similar systems. At the end of an emergency situation, system returns to its normal operating mode.

**Power-off Situation** System allows free passage (entry-exit) in both directions (fail safe). Optionally, can be set (fail secure) as; entry-exit locked, entry free-exit locked, or entry locked-exit free. Free passage in chosen direction by manual override key in fail secure option is available.

**Weight** ~250 kg

**Optional Features and Accessories** Motor driven unit, wireless remote control (receiver-transmitter), manual control, manual override key (with fail secure option), counter (with/without reset), card reader mounting bracket, passage completion sensor, contactless passage sensor (for motorized models), heater positive, bottom plate (standard or for forklift handling), battery back-up, 316 grade stainless steel, RS232-RS485-TCP/IP modules, limiter, different color choices.





## FULL HEIGHT TURNSTILES

75	DK 300
76	BT 312
77	BT 312 D
78	BTX 300 N1
79	BTX 300 N1 D
82	BTC 300
83	BTC 300 D
85	DK 400
88	BT 402
89	BT 402 D
90	BTX 400 N1
91	BTX 400 N1 D
94	BTC 400
95	BTC 400 D



B2



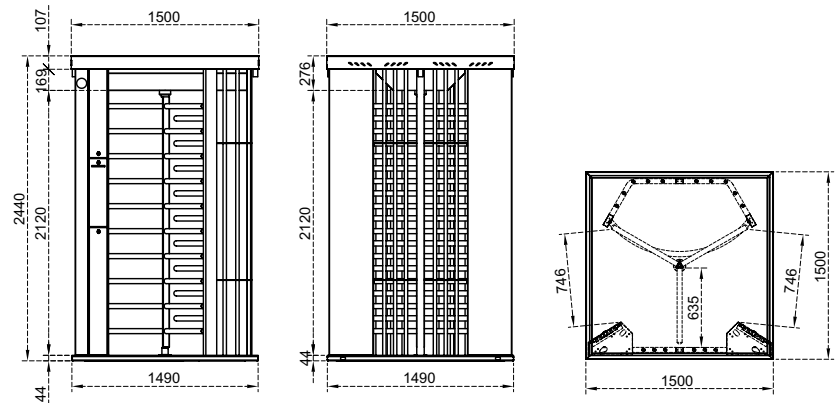
B2

403 404





Dimensions (mm)



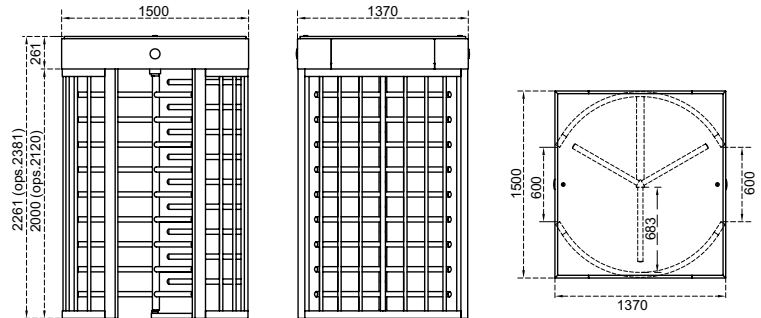
## Technical Features

<b>Place of Use</b>	Indoors, outdoors						
<b>Operating Temperature, Humidity</b>	-20°C/+68°C (opt. -50°C with heater positive), RH 95% non-condensing.						
<b>Operating Intensity</b>	100%, 7/24 use.						
<b>Body / Arm Features</b>	<p>Consisting of floor with anti-slip aluminium coated stainless steel sub-chassis, body built on main carriers and supported with pipes and box type beams on sides, stainless steel waterproof roof covered with corrugated steel, with rain gutters and completely closed ceiling. There are columns with 3 sections designed for installation of electronic system, card reader and access control systems in both entry and exit directions.</p> <p>The mechanics compartment is accessible from the ceiling.</p> <p>Three-section rotor (120°), each having 10 one by one demountable arms.</p> <p>Complies with UK H&amp;S regulation of ≤98 mm gap between upright profiles.</p> <table border="1"> <tr> <td><b>Body</b></td> <td>304 grade (opt. 316 grade) stainless steel.</td> </tr> <tr> <td><b>Arms</b></td> <td>304 grade (opt. 316 grade)* stainless steel, Ø40x2,0 mm.</td> </tr> </table> <p>(* Finishing : Satine brushed (opt. electrostatic powder coating on stainless steel).</p>	<b>Body</b>	304 grade (opt. 316 grade) stainless steel.	<b>Arms</b>	304 grade (opt. 316 grade)* stainless steel, Ø40x2,0 mm.		
<b>Body</b>	304 grade (opt. 316 grade) stainless steel.						
<b>Arms</b>	304 grade (opt. 316 grade)* stainless steel, Ø40x2,0 mm.						
<b>Indicators / Illumination</b>	<p><b>Status - Direction Indicators</b> :   LED, standard/LED passageway illumination standard.</p> <p><b>Passage Indicator</b> :  RGB LED standard.</p>						
<b>Power</b>	<p><b>Operating Voltage</b> : 110/220V AC 50/60 Hz. (%±10), 24V DC.</p> <p><b>Consumption</b> : ~8,1W at stand-by, during passage ~7,6W (varies according to the options and accessories used).</p>						
<b>Operating Modes</b>	<p>System operates bi-directionally (entry-exit).</p> <p>Operating modes can be adjusted through the buttons and screen on the control card.</p> <table border="0"> <tr> <td>Entry - exit controlled</td> <td>Entry controlled, exit free</td> <td>Entry free, exit controlled</td> </tr> <tr> <td>Single input both directions use</td> <td>Entry - exit free</td> <td></td> </tr> </table>	Entry - exit controlled	Entry controlled, exit free	Entry free, exit controlled	Single input both directions use	Entry - exit free	
Entry - exit controlled	Entry controlled, exit free	Entry free, exit controlled					
Single input both directions use	Entry - exit free						
<b>Operating System</b>	Electromechanical manual operation (opt. electromechanical motorized operation).						
<b>Control System</b>	<p>All functions, parameters and operating modes can be adjusted through the buttons and screen on the control card.</p> <p>All inputs are opto-coupler protected.</p> <p>Controllable by dry contact (ground control).</p> <p>Compatible with all kinds of access control device.</p> <p>Optional RS232, RS485 or TCP/IP module is available.</p>						
<b>Flow Rate</b>	<p><b>Passage capacity (manual)</b> : max. 48 cycle/min. <b>Nominal</b> : ~25 pass/min.</p> <p><b>Passage capacity (motorized)</b> : max. 40 cycle/min. <b>Nominal</b> : ~20 pass/min.</p> <p>(nominal passage rate can change depending on the access control system utilized)</p>						
<b>Emergency Mode</b>	System allows free passage (entry-exit) in both directions (fail safe). Works compatible with fire warning and similar systems. At the end of an emergency situation, system returns to its normal operating mode.						
<b>Power-off Situation</b>	System allows free passage (entry-exit) in both directions (fail safe). Optionally, can be set (fail secure) as; entry-exit locked, entry free-exit locked, or entry locked-exit free. Free passage in chosen direction by manual override key in fail secure option is available.						
<b>Weight</b>	~475 kg						
<b>Optional Features and Accessories</b>	Motor driven unit, wireless remote control (receiver-transmitter), manual control, manual override key (with fail secure option), counter (with/without reset), card reader mounting bracket, passage completion sensor, contactless passage sensor (for motorized models), heater positive, canopy, battery back-up, 316 grade stainless steel, RS232-RS485-TCP/IP modules, limiter, trombone arms, different color choices, motorized card collector unit and card collection box.						

# BT 312



## Dimensions (mm)



## Technical Features

**Place of Use** Indoors, outdoors

**Operating Temperature, Humidity** -20°C/+68°C (opt. -50°C with heater positive), RH 95% non-condensing.

**Operating Intensity** 100%, 7/24 use.

Built on main carriers and supported with pipe beams on sides, consisting of waterproof and protecting top lid, mechanical compartment side panels and completely closed ceiling. Can be completely disassembled.

Three-section rotor (120°), each having 9 (10 in optional 2120 mm clear passage height) one by one demountable arms. Optionally complies with UK H&S regulation of ≤98 mm gap between upright profiles.

Combination options with different material choices:

Body / Arm Features	BT 312	BT 312-25	BT 312-100
<b>Body</b>	Electrostatic powder coating on hot-dip galvanized steel	Electrostatic powder coating on hot-dip galvanized steel	304 grade (opt. 316 grade) stainless steel
<b>Arms</b>	Electrostatic powder coating on hot-dip galvanized steel, Ø42x2,5 mm.	304 grade (opt. 316 grade)* stainless steel, Ø40x2,0 mm.	304 grade (opt. 316 grade)* stainless steel, Ø40x2,0 mm.

(\* Finishing : Satine brushed (opt. electrostatic powder coating on stainless steel).

**Indicators / Illumination** **Status - Direction Indicators :** LED, standard/LED passageway illumination standard.

**Power** **Operating Voltage :** 110/220V AC 50/60 Hz. (±10%), 24V DC.  
**Consumption :** ~8,1W at stand-by, during passage ~7,6W (varies according to the options and accessories used).

**Operating Modes** System operates bi-directionally (entry-exit).  
Operating modes can be adjusted through the buttons and screen on the control card.  
Entry - exit controlled      Entry controlled, exit free      Entry free, exit controlled  
Single input both directions use      Entry - exit free

**Operating System** Electromechanical manual operation (opt. electromechanical motorized operation).

**Control System** All functions, parameters and operating modes can be adjusted through the buttons and screen on the control card.  
All inputs are opto-coupler protected.  
Controllable by dry contact (ground control).  
Compatible with all kinds of access control device.  
Optional RS232, RS485 or TCP/IP module is available

**Flow Rate** **Passage capacity (manual) :** max. 48 cycle/min. **Nominal :** ~25 pass/min.  
**Passage capacity (motorized) :** max. 40 cycle/min. **Nominal :** ~20 pass/min.  
(nominal passage rate can change depending on the access control system utilized)

**Emergency Mode** System allows free passage (entry-exit) in both directions (fail safe). Works compatible with fire warning and similar systems. At the end of an emergency situation, system returns to its normal operating mode.

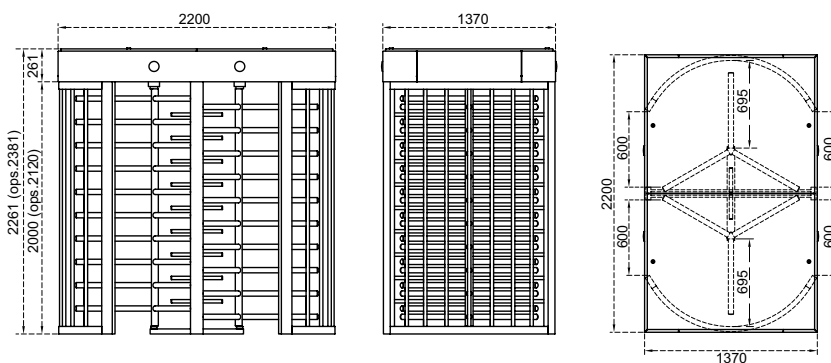
**Power-off Situation** System allows free passage (entry-exit) in both directions (fail safe). Optionally, can be set (fail secure) as; entry-exit locked, entry free-exit locked, or entry locked-exit free. Free passage in chosen direction by manual override key in fail secure option is available.

**Weight** ~275 kg

**Optional Features and Accessories** Motor driven unit, wireless remote control (receiver-transmitter), manual control, manual override key (with fail secure option), counter (with/without reset), card reader mounting bracket, passage completion sensor, contactless passage sensor (for motorized models), heater positive, canopy, bottom plate (standard or for forklift handling), battery back-up, 316 grade stainless steel, RS232-RS485-TCP/IP modules, limiter, 2120 mm clear passage height, mechanics compartment accessibility from the ceiling, trombone arms, different color choices, compliance with UK H&S regulation of ≤98 mm gap between upright profiles.



## Dimensions (mm)



## Technical Features

**Place of Use** Indoors, outdoors

**Operating Temperature, Humidity** -20°C/+68°C (opt. -50°C with heater positive), RH 95% non-condensing.

**Operating Intensity** 100%, 7/24 use.

Built on main carriers and supported with pipe beams on sides, consisting of waterproof and protecting top lid, mechanical compartment side panels and completely closed ceiling. Can be completely disassembled.  
A pair of three-section rotors (120°), each having 10+10 (11+11 in optional 2120 mm clear passage height) one by one demountable arms.  
Optionally complies with UK H&S regulation of ≤98 mm gap between upright profiles.

## Body / Arm Features

Combination options with different material choices:

	BT 312 D	BT 312 D-25	BT 312 D-100
<b>Body</b>	Electrostatic powder coating on hot-dip galvanized steel	Electrostatic powder coating on hot-dip galvanized steel	304 grade (opt. 316 grade) stainless steel
<b>Arms</b>	Electrostatic powder coating on hot-dip galvanized steel, Ø42x2,5 mm.	304 grade (opt. 316 grade)* stainless steel, Ø40x2,0 mm.	304 grade (opt. 316 grade)* stainless steel, Ø40x2,0 mm.

(\*) Finishing : Satine brushed (opt. electrostatic powder coating on stainless steel).

**Indicators / Illumination** **Status - Direction Indicators** : LED, standard/LED passageway illumination standard.

**Power** **Operating Voltage** : 110/220V AC 50/60 Hz. (±10%), 24V DC.  
**Consumption** : ~16,2W at stand-by, during passage ~7,6+7,6W (varies according to the options and accessories used).

**Operating Modes** System operates bi-directionally (entry-exit).  
Operating modes can be adjusted through the buttons and screen on the control card.  
Entry - exit controlled                      Entry controlled, exit free                      Entry free, exit controlled  
Single input both directions use                      Entry - exit free

**Operating System** Electromechanical manual operation (opt. electromechanical motorized operation).

**Control System** All functions, parameters and operating modes can be adjusted through the buttons and screen on the control card.  
All inputs are opto-coupler protected.  
Controllable by dry contact (ground control).  
Compatible with all kinds of access control device.  
Optional RS232, RS485 or TCP/IP module is available.

**Flow Rate** **Passage capacity (manual)** : max. 96 cycle/min. **Nominal** : ~50 pass/min.  
**Passage capacity (motorized)** : max. 80 cycle/min. **Nominal** : ~40 pass/min.  
(nominal passage rate can change depending on the access control system utilized)

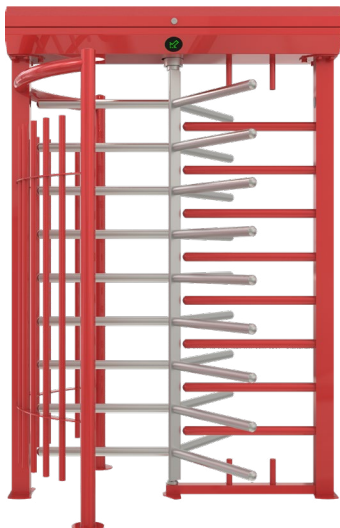
**Emergency Mode** System allows free passage (entry-exit) in both directions (fail safe). Works compatible with fire warning and similar systems. At the end of an emergency situation, system returns to its normal operating mode.

**Power-off Situation** System allows free passage (entry-exit) in both directions (fail safe). Optionally, can be set (fail secure) as; entry-exit locked, entry free-exit locked, or entry locked-exit free. Free passage in chosen direction by manual override key in fail secure option is available.

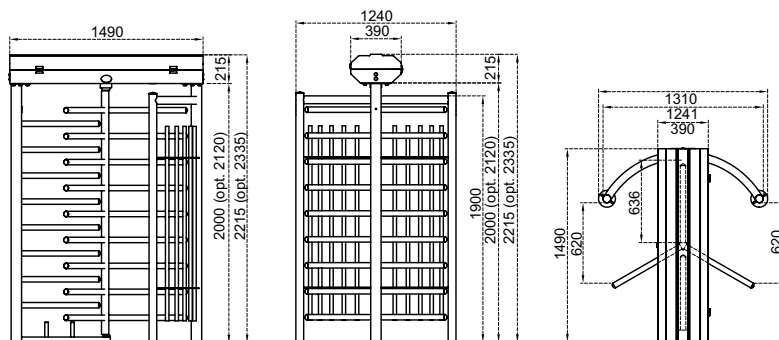
**Weight** ~530 kg

**Optional Features and Accessories** Motor driven unit, wireless remote control (receiver-transmitter), manual control, manual override key (with fail secure option), counter (with/without reset), card reader mounting bracket, passage completion sensor, contactless passage sensor (for motorized models), heater positive, canopy, bottom plate (standard or for forklift handling), battery back-up, 316 grade stainless steel, RS232-RS485-TCP/IP modules, limiter, 2120 mm clear passage height, mechanics compartment accessibility from the ceiling, different color choices, compliance with UK H&S regulation of ≤98 mm gap between upright profiles.

# BTX 300 N1



## Dimensions (mm)



## Technical Features

<b>Place of Use</b>	Indoors, outdoors
<b>Operating Temperature, Humidity</b>	-20°C/+68°C (opt. -50°C with heater positive), RH 95% non-condensing.
<b>Operating Intensity</b>	100%, 7/24 use.

Built on main carriers and supported with pipe beams on sides, consisting of waterproof and protected top lid with damper for safety. Can be completely disassembled.

Three-section rotor (120°), each having 9 (10 in optional 2120 mm clear passage height) one by one demountable arms.

Complies with UK H&S regulation of ≤98 mm gap between upright profiles.

Combination options with different material choices:

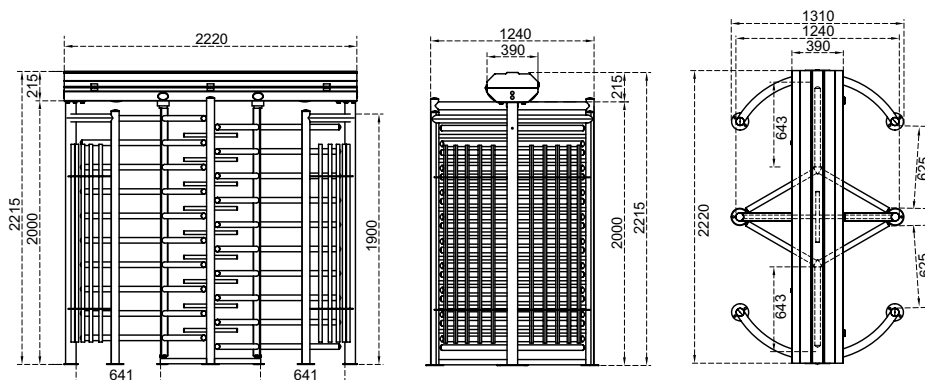
Body / Arm Features	BTX 300 N1	BTX 300 N1-25	BTX 300 N1-100
<b>Body</b>	Electrostatic powder coating on hot-dip galvanized steel	Electrostatic powder coating on hot-dip galvanized steel	304 grade (opt. 316 grade) stainless steel
<b>Arms</b>	Electrostatic powder coating on hot-dip galvanized steel, Ø42x2,5 mm.	304 grade (opt. 316 grade)* stainless steel, Ø40x2,0 mm.	304 grade (opt. 316 grade)* stainless steel, Ø40x2,0 mm.

(\*) Finishing : Satine brushed (opt. electrostatic powder coating on stainless steel).

<b>Indicators / Illumination</b>	<b>Status - Direction Indicators :</b> LED, standard/LED passageway illumination standard.
<b>Power</b>	<b>Operating Voltage</b> : 110/220V AC 50/60 Hz. (±10%), 24V DC. <b>Consumption</b> : ~8,1W at stand-by, during passage ~7,6W (varies according to the options and accessories used).
<b>Operating Modes</b>	System operates bi-directionally (entry-exit). Operating modes can be adjusted through the buttons and screen on the control card. Entry - exit controlled      Entry controlled, exit free      Entry free, exit controlled Single input both directions use      Entry - exit free
<b>Operating System</b>	Electromechanical manual operation (opt. electromechanical motorized operation).
<b>Control System</b>	All functions, parameters and operating modes can be adjusted through the buttons and screen on the control card. All inputs are opto-coupler protected. Controllable by dry contact (ground control). Compatible with all kinds of access control device. Optional RS232, RS485 or TCP/IP module is available.
<b>Flow Rate</b>	<b>Passage capacity (manual)</b> : max. 48 cycle/min. <b>Nominal</b> : ~25 pass/min. <b>Passage capacity (motorized)</b> : max. 40 cycle/min. <b>Nominal</b> : ~20 pass/min. (nominal passage rate can change depending on the access control system utilized)
<b>Emergency Mode</b>	System allows free passage (entry-exit) in both directions (fail safe). Works compatible with fire warning and similar systems. At the end of an emergency situation, system returns to its normal operating mode.
<b>Power-off Situation</b>	System allows free passage (entry-exit) in both directions (fail safe). Optionally, can be set (fail secure) as; entry-exit locked, entry free-exit locked, or entry locked-exit free. Free passage in chosen direction by manual override key in fail secure option is available.
<b>Weight</b>	~190 kg
<b>Optional Features and Accessories</b>	Motor driven unit, wireless remote control (receiver-transmitter), manual control, manual override key (with fail secure option), counter (with/without reset), card reader mounting bracket, passage completion sensor, contactless passage sensor (for motorized models), heater positive, canopy, bottom plate (standard or for forklift handling), battery back-up, 316 grade stainless steel, RS232-RS485-TCP/IP modules, limiter, 2120 mm clear passage height, mechanics compartment accessibility from the ceiling, trombone arms, different color choices.



Dimensions (mm)



## Technical Features

**Place of Use** Indoors, outdoors

**Operating Temperature, Humidity** -20°C/+68°C (opt. -50°C with heater positive), RH 95% non-condensing.

**Operating Intensity** 100%, 7/24 use.

Built on main carriers and supported with pipe beams on sides, consisting of waterproof and protected top lid with damper for safety. Can be completely disassembled.

A pair of three-section rotors (120°), each having 10+10 (11+11 in optional 2120 mm clear passage height) one by one demountable arms.

Complies with UK H&S regulation of ≤98 mm gap between upright profiles.

## Body / Arm Features

Combination options with different material choices:

	BTX 300 N1 D	BTX 300 N1 D-25	BTX 300 N1 D-100
<b>Body</b>	Electrostatic powder coating on hot-dip galvanized steel	Electrostatic powder coating on hot-dip galvanized steel	304 grade (opt. 316 grade) stainless steel
<b>Arms</b>	Electrostatic powder coating on hot-dip galvanized steel, Ø42x2,5 mm.	304 grade (opt. 316 grade)* stainless steel, Ø40x2,0 mm.	304 grade (opt. 316 grade)* stainless steel, Ø40x2,0 mm.

(\*) Finishing : Satine brushed (opt. electrostatic powder coating on stainless steel).

**Indicators / Illumination** **Status - Direction Indicators :** LED, standard/LED passageway illumination standard.

**Power** **Operating Voltage** : 110/220V AC 50/60 Hz. (±10%), 24V DC.  
**Consumption** : ~16,2W at stand-by, during passage ~7,6+7,6W (varies according to the options and accessories used).

**Operating Modes** System operates bi-directionally (entry-exit).  
Operating modes can be adjusted through the buttons and screen on the control card.  
Entry - exit controlled      Entry controlled, exit free      Entry free, exit controlled  
Single input both directions use      Entry - exit free

**Operating System** Electromechanical manual operation (opt. electromechanical motorized operation).

**Control System** All functions, parameters and operating modes can be adjusted through the buttons and screen on the control card.  
All inputs are opto-coupler protected.  
Controllable by dry contact (ground control).  
Compatible with all kinds of access control device.  
Optional RS232, RS485 or TCP/IP module is available.

**Flow Rate** **Passage capacity (manual)** : max. 96 cycle/min. **Nominal** : ~50 pass/min.  
**Passage capacity (motorized)** : max. 80 cycle/min. **Nominal** : ~40 pass/min.  
(nominal passage rate can change depending on the access control system utilized)

**Emergency Mode** System allows free passage (entry-exit) in both directions (fail safe). Works compatible with fire warning and similar systems. At the end of an emergency situation, system returns to its normal operating mode.

**Power-off Situation** System allows free passage (entry-exit) in both directions (fail safe). Optionally, can be set (fail secure) as; entry-exit locked, entry free-exit locked, or entry locked-exit free. Free passage in chosen direction by manual override key in fail secure option is available.

**Weight** ~365 kg

**Optional Features and Accessories** Motor driven unit, wireless remote control (receiver-transmitter), manual control, manual override key (with fail secure option), counter (with/without reset), card reader mounting bracket, passage completion sensor, contactless passage sensor (for motorized models), heater positive, canopy, bottom plate (standard or for forklift handling), battery back-up, 316 grade stainless steel, RS232-RS485-TCP/IP modules, limiter, 2120 mm clear passage height, mechanics compartment accessibility from the ceiling, different color choices.



76

Maden ve  
sektörü tek  
ve milli

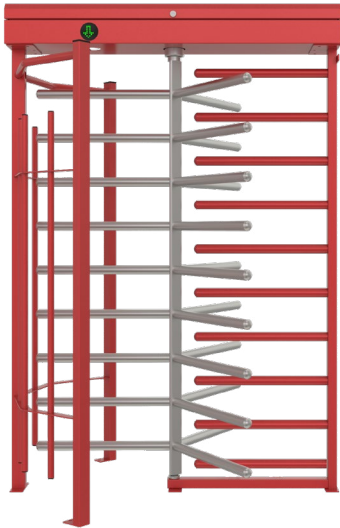
3



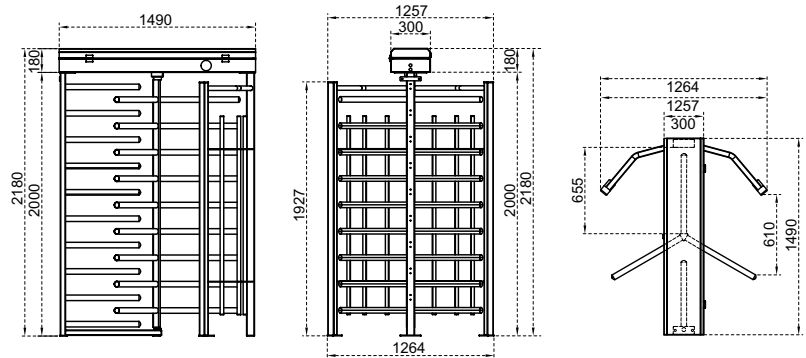


\*2011 PE

# BTC 300



Dimensions (mm)



## Technical Features

**Place of Use** Indoors, outdoors

**Operating Temperature, Humidity** -20°C/+68°C (opt. -50°C with heater positive), RH 95% non-condensing.

**Operating Intensity** 100%, 7/24 use.

Built on main carriers and supported with pipe beams on sides, consisting of waterproof and protected top lid with damper for safety. Can be completely disassembled.

Three-section rotor (120°), each having 9 (10 in optional 2120 mm clear passage height) one by one demountable arms. Optionally complies with UK H&S regulation of ≤98 mm gap between upright profiles.

Combination options with different material choices:

### Body / Arm Features

	BTC 300	BTC 300-25	BTC 300-100
<b>Body</b>	Electrostatic powder coating on hot-dip galvanized steel	Electrostatic powder coating on hot-dip galvanized steel	304 grade (opt. 316 grade) stainless steel
<b>Arms</b>	Electrostatic powder coating on hot-dip galvanized steel, Ø42x2,5 mm.	304 grade (opt. 316 grade)* stainless steel, Ø40x2,0 mm.	304 grade (opt. 316 grade)* stainless steel, Ø40x2,0 mm.

(\*) Finishing : Satine brushed (opt. electrostatic powder coating on stainless steel).

**Indicators / Illumination** **Status - Direction Indicators** : LED, standard/LED passageway illumination standard.

**Power** **Operating Voltage** : 110/220V AC 50/60 Hz. (%±10), 24V DC.  
**Consumption** : ~8,1W at stand-by, during passage ~7,6W (varies according to the options and accessories used).

System operates bi-directionally (entry-exit).

Operating modes can be adjusted through the buttons and screen on the control card.

### Operating Modes

Entry - exit controlled                      Entry controlled, exit free                      Entry free, exit controlled  
Single input both directions use                      Entry - exit free

**Operating System** Electromechanical manual operation (opt. electromechanical motorized operation).

All functions, parameters and operating modes can be adjusted through the buttons and screen on the control card.

All inputs are opto-coupler protected.

### Control System

Controllable by dry contact (ground control).

Compatible with all kinds of access control device.

Optional RS232, RS485 or TCP/IP module is available.

### Flow Rate

**Passage capacity (manual)** : max. 48 cycle/min. **Nominal** : ~25 pass/min.

**Passage capacity (motorized)** : max. 40 cycle/min. **Nominal** : ~20 pass/min.

(nominal passage rate can change depending on the access control system utilized)

### Emergency Mode

System allows free passage (entry-exit) in both directions (fail safe). Works compatible with fire warning and similar systems. At the end of an emergency situation, system returns to its normal operating mode.

### Power-off Situation

System allows free passage (entry-exit) in both directions (fail safe). Optionally, can be set (fail secure) as; entry-exit locked, entry free-exit locked, or entry locked-exit free. Free passage in chosen direction by manual override key in fail secure option is available.

### Weight

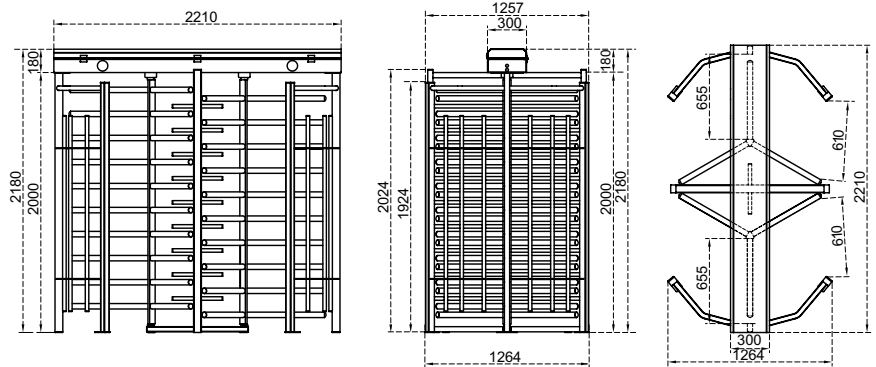
~175 kg

### Optional Features and Accessories

Motor driven unit, wireless remote control (receiver-transmitter), manual control, manual override key (with fail secure option), counter (with/without reset), card reader mounting bracket, passage completion sensor, contactless passage sensor (for motorized models), heater positive, canopy, bottom plate (standard or for forklift handling), battery back-up, 316 grade stainless steel, RS232-RS485-TCP/IP modules, limiter, 2120 mm clear passage height, trombone arms, different color choices, compliance with UK H&S regulation of ≤98 mm gap between upright profiles.



Dimensions (mm)



## Technical Features

**Place of Use** Indoors, outdoors

**Operating Temperature, Humidity** -20°C/+68°C (opt. -50°C with heater positive), RH 95% non-condensing.

**Operating Intensity** 100%, 7/24 use.

Built on main carriers and supported with pipe beams on sides, consisting of waterproof and protected top lid with damper for safety. Can be completely disassembled.

A pair of three-section rotors (120°), each having 10+10 (11+11 in optional 2120 mm clear passage height) one by one demountable arms.



Optionally complies with UK H&S regulation of ≤98 mm gap between upright profiles.

## Body / Arm Features

Combination options with different material choices:

	BTC 300 D	BTC 300 D-25	BTC 300 D-100
<b>Body</b>	Electrostatic powder coating on hot-dip galvanized steel	Electrostatic powder coating on hot-dip galvanized steel	304 grade (opt. 316 grade) stainless steel
<b>Arms</b>	Electrostatic powder coating on hot-dip galvanized steel, Ø42x2,5 mm.	304 grade (opt. 316 grade)* stainless steel, Ø40x2,0 mm.	304 grade (opt. 316 grade)* stainless steel, Ø40x2,0 mm.

(\*) Finishing : Satine brushed (opt. electrostatic powder coating on stainless steel).

**Indicators / Illumination** **Status - Direction Indicators** :   LED, standard/LED passageway illumination standard.

**Power** **Operating Voltage** : 110/220V AC 50/60 Hz. (%±10), 24V DC.  
**Consumption** : ~16,2W at stand-by, during passage ~7,6+7,6W (varies according to the options and accessories used).

System operates bi-directionally (entry-exit).

Operating modes can be adjusted through the buttons and screen on the control card.

**Operating Modes**  
Entry - exit controlled                      Entry controlled, exit free                      Entry free, exit controlled  
Single input both directions use                      Entry - exit free

**Operating System** Electromechanical manual operation (opt. electromechanical motorized operation).

All functions, parameters and operating modes can be adjusted through the buttons and screen on the control card.

All inputs are opto-coupler protected.

Controllable by dry contact (ground control).

Compatible with all kinds of access control device.

Optional RS232, RS485 or TCP/IP module is available.

**Flow Rate** **Passage capacity (manual)** : max. 96 cycle/min. **Nominal** : ~50 pass/min.

**Passage capacity (motorized)** : max. 80 cycle/min. **Nominal** : ~40 pass/min.

(nominal passage rate can change depending on the access control system utilized)

**Emergency Mode** System allows free passage (entry-exit) in both directions (fail safe). Works compatible with fire warning and similar systems. At the end of an emergency situation, system returns to its normal operating mode.

**Power-off Situation** System allows free passage (entry-exit) in both directions (fail safe). Optionally, can be set (fail secure) as; entry-exit locked, entry free-exit locked, or entry locked-exit free. Free passage in chosen direction ~by manual override key in fail secure option is available.

**Weight** ~335 kg

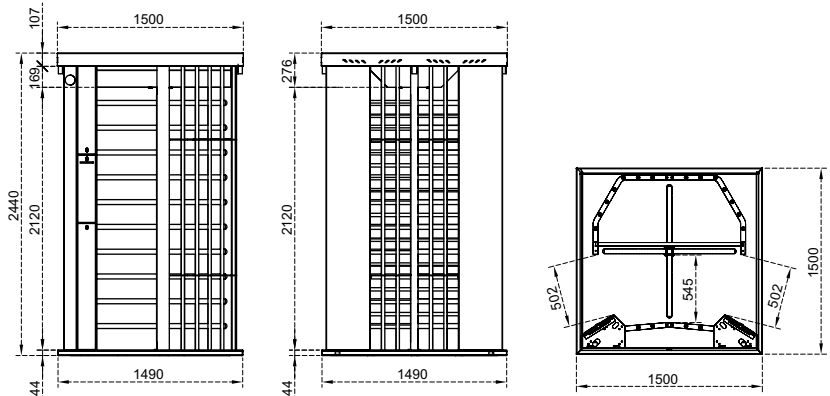
## Optional Features and Accessories

Motor driven unit, wireless remote control (receiver-transmitter), manual control, manual override key (with fail secure option), counter (with/without reset), card reader mounting bracket, passage completion sensor, contactless passage sensor (for motorized models), heater positive, canopy, bottom plate (standard or for forklift handling), battery back-up, 316 grade stainless steel, RS232-RS485-TCP/IP modules, limiter, 2120 mm clear passage height, different color choices, compliance with UK H&S regulation of ≤98 mm gap between upright profiles.





Dimensions (mm)



## Technical Features

<b>Place of Use</b>	Indoors, outdoors
<b>Operating Temperature, Humidity</b>	-20°C/+68°C (opt. -50°C with heater positive), RH 95% non-condensing.
<b>Operating Intensity</b>	100%, 7/24 use.

Consisting of floor with anti-slip aluminium coated stainless steel sub-chasis, body built on main carriers and supported with pipes and box type beams on sides, stainless steel waterproof roof covered with corrugated steel, with rain gutters and completely closed ceiling. There are columns with 3 sections designed for installation of electronic system, card reader and access control systems in both entry and exit directions.

The mechanics compartment is accessible from the ceiling.

Four-section rotor (90°), each having 10 one by one demountable arms.

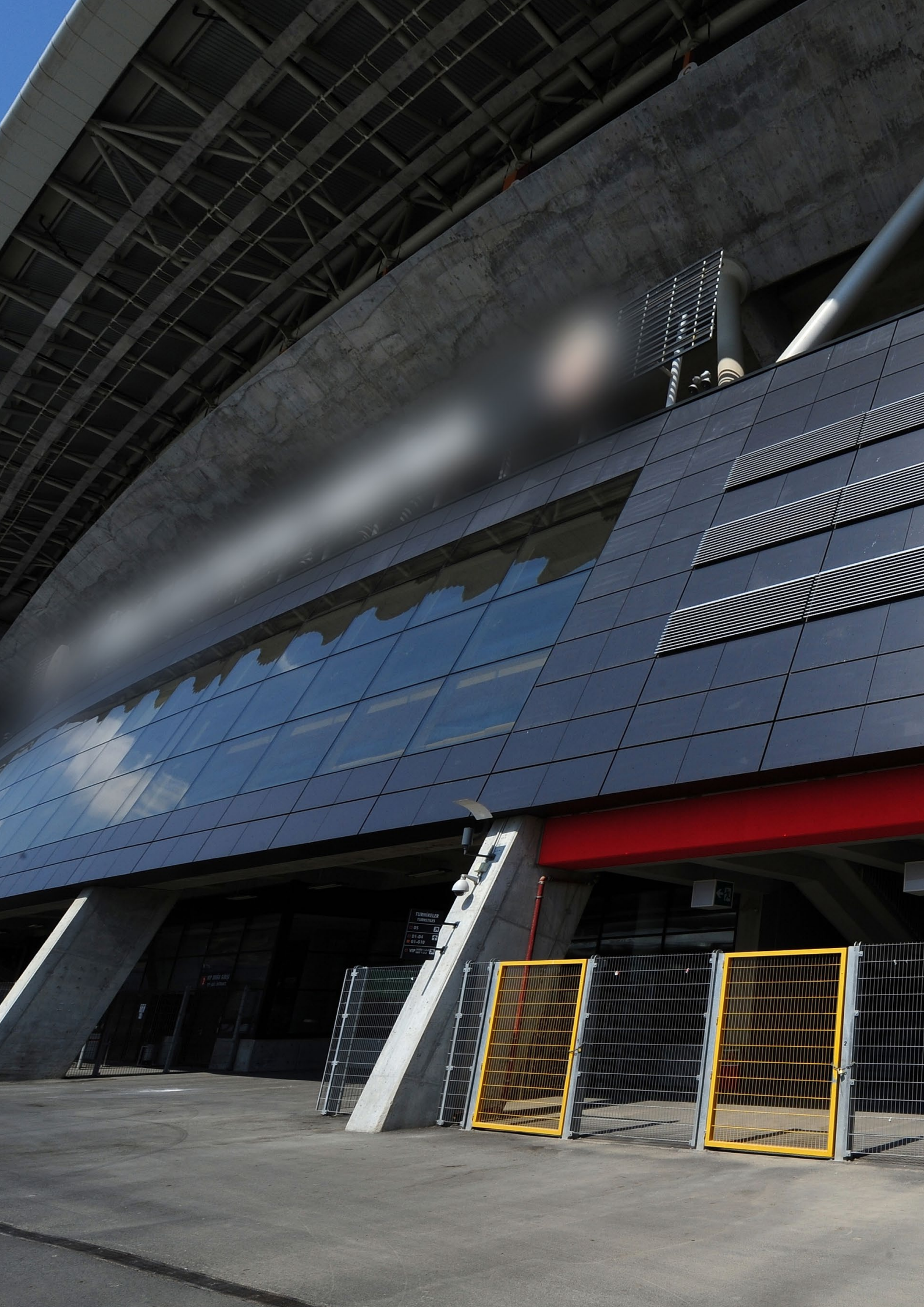
Complies with UK H&S regulation of ≤98 mm gap between upright profiles.

### Body / Arm Features

<b>Body</b>	304 grade (opt. 316 grade) stainless steel.
<b>Arms</b>	304 grade (opt. 316 grade)* stainless steel, Ø40x2,0 mm.

(\* Finishing : Satine brushed (opt. electrostatic powder coating on stainless steel).

<b>Indicators / Illumination</b>	<p><b>Status - Direction Indicators</b> :   LED, standard/LED passageway illumination standard.</p> <p><b>Passage Indicator</b> :  RGB LED, standard.</p>
<b>Power</b>	<p><b>Operating Voltage</b> : 110/220V AC 50/60 Hz. (%±10), 24V DC.</p> <p><b>Consumption</b> : ~8,1W at stand-by, during passage ~7,6W (varies according to the options and accessories used).</p>
<b>Operating Modes</b>	<p>System operates bi-directionally (entry-exit).</p> <p>Operating modes can be adjusted through the buttons and screen on the control card.</p> <p>Entry - exit controlled      Entry controlled, exit free      Entry free, exit controlled</p> <p>Single input both directions use      Entry - exit free</p>
<b>Operating System</b>	Electromechanical manual operation (opt. electromechanical motorized operation).
<b>Control System</b>	<p>All functions, parameters and operating modes can be adjusted through the buttons and screen on the control card.</p> <p>All inputs are opto-coupler protected.</p> <p>Controllable by dry contact (ground control).</p> <p>Compatible with all kinds of access control device.</p> <p>Optional RS232, RS485 or TCP/IP module is available.</p>
<b>Flow Rate</b>	<p><b>Passage capacity (manual)</b> : max. 48 cycle/min. <b>Nominal</b> : ~25 pass/min.</p> <p><b>Passage capacity (motorized)</b> : max. 40 cycle/min. <b>Nominal</b> : ~20 pass/min.</p> <p>(nominal passage rate can change depending on the access control system utilized)</p>
<b>Emergency Mode</b>	System allows free passage (entry-exit) in both directions (fail safe). Works compatible with fire warning and similar systems. At the end of an emergency situation, system returns to its normal operating mode.
<b>Power-off Situation</b>	System allows free passage (entry-exit) in both directions (fail safe). Optionally, can be set (fail secure) as; entry-exit locked, entry free-exit locked, or entry locked-exit free. Free passage in chosen direction by manual override key in fail secure option is available.
<b>Weight</b>	~480 kg
<b>Optional Features and Accessories</b>	Motor driven unit, wireless remote control (receiver-transmitter), manual control, manual override key (with fail secure option), counter (with/without reset), card reader mounting bracket, passage completion sensor, contactless passage sensor (for motorized models), heater positive, canopy, battery back-up, 316 grade stainless steel, RS232-RS485-TCP/IP modules, limiter, trombone arms, different color choices, motorized card collector unit and card collection box.



TECHNISCHE  
INFORMATIONEN  
D1-D4  
D1-D4  
D1-D4  
D1-D4

107 0000 0000  
107 0000 0000

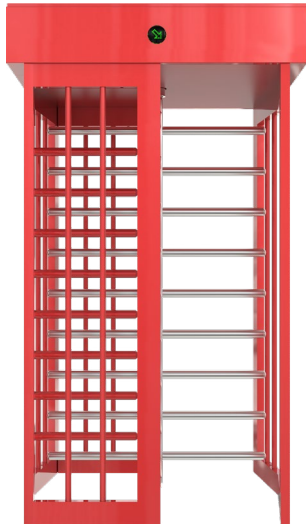


413  
414-415

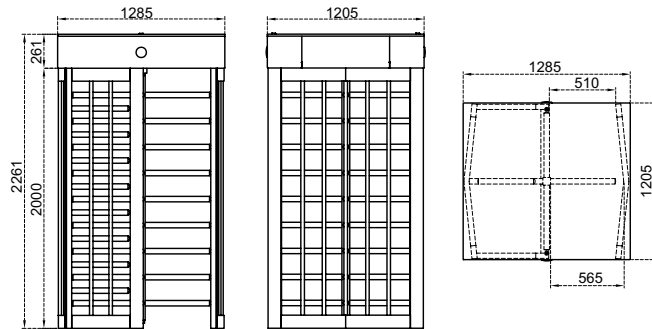
3

4

# BT 402



## Dimensions (mm)



## Technical Features

**Place of Use** Indoors, outdoors

**Operating Temperature, Humidity** -20°C/+68°C (opt. -50°C with heater positive), RH 95% non-condensing.

**Operating Intensity** 100%, 7/24 use.


Built on main carriers and supported with pipe beams on sides, consisting of waterproof and protected top lid, mechanical compartment side panels and completely closed ceiling. Can be completely disassembled.

Four-section rotor (90°), each having 9 (10 in optional 2120 mm clear passage height) one by one demountable arms. Optionally complies with UK H&S regulation of ≤98 mm gap between upright profiles.

Combination options with different material choices:

Body / Arm Features	BT 402	BT 402-25	BT 402-100
<b>Body</b>	Electrostatic powder coating on hot-dip galvanized steel	Electrostatic powder coating on hot-dip galvanized steel	304 grade (opt. 316 grade) stainless steel
<b>Arms</b>	Electrostatic powder coating on hot-dip galvanized steel, Ø42x2,5 mm.	304 grade (opt. 316 grade)* stainless steel, Ø40x2,0 mm.	304 grade (opt. 316 grade)* stainless steel, Ø40x2,0 mm.

(\*) Finishing : Satine brushed (opt. electrostatic powder coating on stainless steel).

**Indicators / Illumination** **Status - Direction Indicators** :  LED, standard/LED passageway illumination standard.

**Power** **Operating Voltage** : 110/220V AC 50/60 Hz. (±10%), 24V DC.  
**Consumption** : ~8,1W at stand-by, during passage ~7,6W (varies according to the options and accessories used).

**Operating Modes** System operates bi-directionally (entry-exit).  
Operating modes can be adjusted through the buttons and screen on the control card.  
Entry - exit controlled      Entry controlled, exit free      Entry free, exit controlled  
Single input both directions use      Entry - exit free

**Operating System** Electromechanical manual operation (opt. electromechanical motorized operation).

**Control System** All functions, parameters and operating modes can be adjusted through the buttons and screen on the control card.  
All inputs are opto-coupler protected.  
Controllable by dry contact (ground control).  
Compatible with all kinds of access control device.  
Optional RS232, RS485 or TCP/IP module is available.

**Flow Rate** **Passage capacity (manual)** : max. 48 cycle/min. **Nominal** : ~25 pass/min.  
**Passage capacity (motorized)** : max. 40 cycle/min. **Nominal** : ~20 pass/min.  
(nominal passage rate can change depending on the access control system utilized)

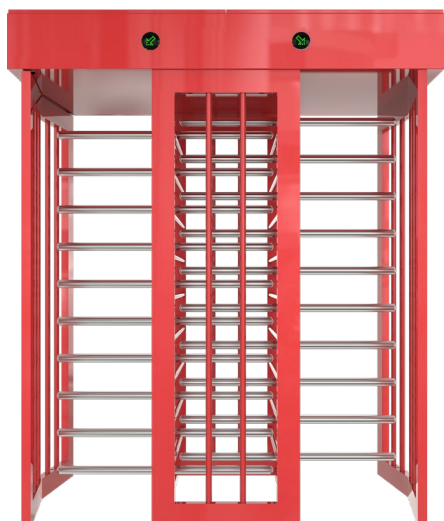
**Emergency Mode** System allows free passage (entry-exit) in both directions (fail safe). Works compatible with fire warning and similar systems. At the end of an emergency situation, system returns to its normal operating mode.

**Power-off Situation** System allows free passage (entry-exit) in both directions (fail safe). Optionally, can be set (fail secure) as; entry-exit locked, entry free-exit locked, or entry locked-exit free. Free passage in chosen direction by manual override key in fail secure option is available.

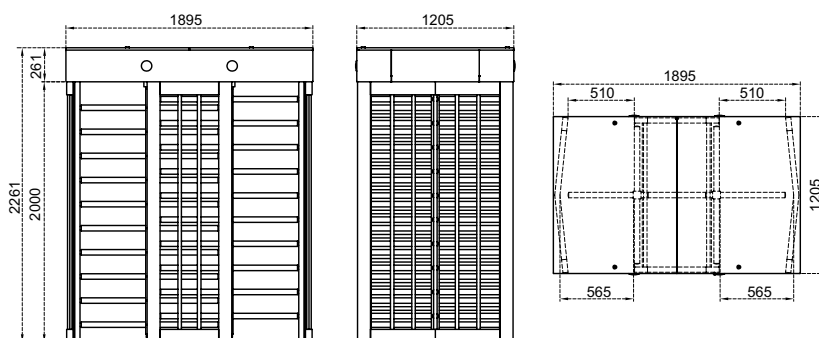
**Weight** ~235 kg

**Optional Features and Accessories** Motor driven unit, wireless remote control (receiver-transmitter), manual control, manual override key (with fail secure option), counter (with/without reset), card reader mounting bracket, passage completion sensor, contactless passage sensor (for motorized models), heater positive, canopy, bottom plate (standard or for forklift handling), battery back-up, 316 grade stainless steel, RS232-RS485-TCP/IP modules, limiter, 2120 mm clear passage height, mechanics compartment accessibility from the ceiling, trombone arms, different color choices, comp-liance with UK H&S regulation of ≤98 mm gap between upright profiles.





Dimensions (mm)



## Technical Features

**Place of Use** Indoors, outdoors

**Operating Temperature, Humidity** -20°C/+68°C (opt. -50°C with heater positive), RH 95% non-condensing.

**Operating Intensity** 100%, 7/24 use.

Built on main carriers and supported with pipe beams on sides, consisting of waterproof and protected top lid, mechanical compartment side panels and completely closed ceiling. Can be completely disassembled.  
A pair of four-section rotors (90°), each having 10+10 (11+11 in optional 2120 mm clear passage height) one by one demountable arms.  
Optionally complies with UK H&S regulation of ≤98 mm gap between upright profiles.

## Body / Arm Features

Combination options with different material choices:

	BT 402 D	BT 402 D-25	BT 402 D-100
<b>Body</b>	Electrostatic powder coating on hot-dip galvanized steel	Electrostatic powder coating on hot-dip galvanized steel	304 grade (opt. 316 grade) stainless steel
<b>Arms</b>	Electrostatic powder coating on hot-dip galvanized steel, Ø42x2,5 mm.	304 grade (opt. 316 grade)* stainless steel, Ø40x2,0 mm.	304 grade (opt. 316 grade)* stainless steel, Ø40x2,0 mm.

(\*) Finishing : Satine brushed (opt. electrostatic powder coating on stainless steel).

**Indicators / Illumination** **Status - Direction Indicators** : LED, standard/LED passageway illumination standard.

**Power** **Operating Voltage** : 110/220V AC 50/60 Hz. (±10%), 24V DC.  
**Consumption** : ~16,2W at stand-by, during passage ~7,6+7,6W (varies according to the options and accessories used).

**Operating Modes** System operates bi-directionally (entry-exit).  
Operating modes can be adjusted through the buttons and screen on the control card.  
Entry - exit controlled      Entry controlled, exit free      Entry free, exit controlled  
Single input both directions use      Entry - exit free

**Operating System** Electromechanical manual operation (opt. electromechanical motorized operation).

**Control System** All functions, parameters and operating modes can be adjusted through the buttons and screen on the control card.  
All inputs are opto-coupler protected.  
Controllable by dry contact (ground control).  
Compatible with all kinds of access control device.  
Optional RS232, RS485 or TCP/IP module is available.

**Flow Rate** **Passage capacity (manual)** : max. 96 cycle/min. **Nominal** : ~50 pass/min.  
**Passage capacity (motorized)** : max. 80 cycle/min. **Nominal** : ~40 pass/min.  
(nominal passage rate can change depending on the access control system utilized)

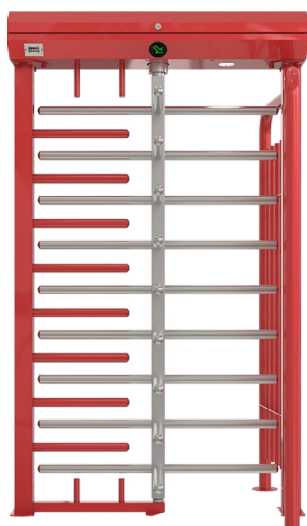
**Emergency Mode** System allows free passage (entry-exit) in both directions (fail safe). Works compatible with fire warning and similar systems. At the end of an emergency situation, system returns to its normal operating mode.

**Power-off Situation** System allows free passage (entry-exit) in both directions (fail safe). Optionally, can be set (fail secure) as; entry-exit locked, entry free-exit locked, or entry locked-exit free. Free passage in chosen direction ~by manual override key in fail secure option is available.

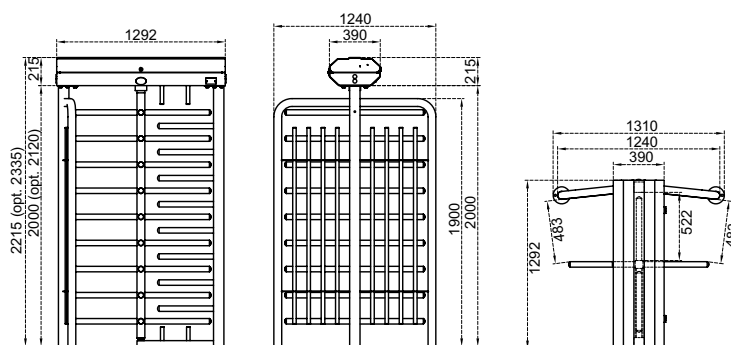
**Weight** ~460 kg

**Optional Features and Accessories** Motor driven unit, wireless remote control (receiver-transmitter), manual control, manual override key (with fail secure option), counter (with/without reset), card reader mounting bracket, passage completion sensor, contactless passage sensor (for motorized models), heater positive, canopy, bottom plate (standard or for forklift handling), battery back-up, 316 grade stainless steel, RS232-RS485-TCP/IP modules, limiter, 2120 mm clear passage height, mechanics compartment accessibility from the ceiling, different color choices, compliance with UK H&S regulation of ≤98 mm gap between upright profiles.

# BTX 400 N1



## Dimensions (mm)



## Technical Features

**Place of Use** Indoors, outdoors

**Operating Temperature, Humidity** -20°C/+68°C (opt. -50°C with heater positive), RH 95% non-condensing.

**Operating Intensity** 100%, 7/24 use.

Built on main carriers and supported with pipe beams on sides, consisting of waterproof and protected top lid with damper for safety. Can be completely disassembled.

Four-section rotor (90°), each having 9 (10 in optional 2120 mm clear passage height) one by one demountable arms. Complies with UK H&S regulation of ≤98 mm gap between upright profiles.

Combination options with different material choices:

### Body / Arm Features

	BTX 400 N1	BTX 400 N1-25	BTX 400 N1-100
<b>Body</b>	Electrostatic powder coating on hot-dip galvanized steel	Electrostatic powder coating on hot-dip galvanized steel	304 grade (opt. 316 grade) stainless steel
<b>Arms</b>	Electrostatic powder coating on hot-dip galvanized steel, Ø42x2,5 mm.	304 grade (opt. 316 grade)* stainless steel, Ø40x2,0 mm.	304 grade (opt. 316 grade)* stainless steel, Ø40x2,0 mm.

(\*) Finishing : Satine brushed (opt. electrostatic powder coating on stainless steel).

**Indicators / Illumination** **Status - Direction Indicators** : LED, standard/LED passageway illumination standard.

**Power** **Operating Voltage** : 110/220V AC 50/60 Hz. (±10%), 24V DC.  
**Consumption** : ~8,1W at stand-by, during passage ~7,6W (varies according to the options and accessories used).

**Operating Modes** System operates bi-directionally (entry-exit).  
Operating modes can be adjusted through the buttons and screen on the control card.  
Entry - exit controlled      Entry controlled, exit free      Entry free, exit controlled  
Single input both directions use      Entry - exit free

**Operating System** Electromechanical manual operation (opt. electromechanical motorized operation).

**Control System** All functions, parameters and operating modes can be adjusted through the buttons and screen on the control card.  
All inputs are opto-coupler protected.  
Controllable by dry contact (ground control).  
Compatible with all kinds of access control device.  
Optional RS232, RS485 or TCP/IP module is available.

**Flow Rate** **Passage capacity (manual)** : max. 48 cycle/min. **Nominal** : ~25 pass/min.  
**Passage capacity (motorized)** : max. 40 cycle/min. **Nominal** : ~20 pass/min.  
(nominal passage rate can change depending on the access control system utilized)

**Emergency Mode** System allows free passage (entry-exit) in both directions (fail safe). Works compatible with fire warning and similar systems. At the end of an emergency situation, system returns to its normal operating mode.

**Power-off Situation** System allows free passage (entry-exit) in both directions (fail safe). Optionally, can be set (fail secure) as; entry-exit locked, entry free-exit locked, or entry locked-exit free. Free passage in chosen direction by manual override key in fail secure option is available.

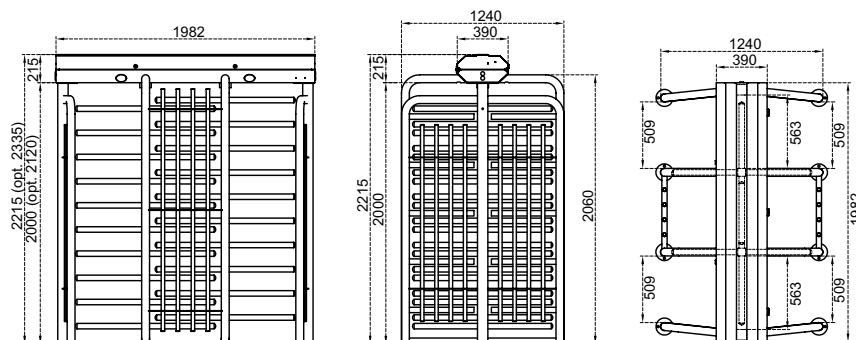
**Weight** ~175 kg

### Optional Features and Accessories

Motor driven unit, wireless remote control (receiver-transmitter), manual control, manual override key (with fail secure option), counter (with/without reset), card reader mounting bracket, passage completion sensor, contactless passage sensor (for motorized models), heater positive, canopy, bottom plate (standard or for forklift handling), battery back-up, 316 grade stainless steel, RS232-RS485-TCP/IP modules, limiter, 2120 mm clear passage height, mechanics compartment accessibility from the ceiling, trombone arms, different color choices.



Dimensions (mm)



## Technical Features

<b>Place of Use</b>	Indoors, outdoors
<b>Operating Temperature, Humidity</b>	-20°C/+68°C (opt. -50°C with heater positive), RH 95% non-condensing.
<b>Operating Intensity</b>	100%, 7/24 use.

Built on main carriers and supported with pipe beams on sides, consisting of waterproof and protected top lid with damper for safety. Can be completely disassembled.  
 A pair of four-section rotors (90°), each having 10+10 (11+11 in optional 2120 mm clear passage height) one by one demountable arms.  
 Complies with UK H&S regulation of ≤98 mm gap between upright profiles.

## Body / Arm Features

Combination options with different material choices:

	BTX 400 N1 D	BTX 400 N1 D-25	BTX 400 N1 D-100
<b>Body</b>	Electrostatic powder coating on hot-dip galvanized steel	Electrostatic powder coating on hot-dip galvanized steel	304 grade (opt. 316 grade) stainless steel
<b>Arms</b>	Electrostatic powder coating on hot-dip galvanized steel, Ø42x2,5 mm.	304 grade (opt. 316 grade)* stainless steel, Ø40x2,0 mm.	304 grade (opt. 316 grade)* stainless steel, Ø40x2,0 mm.

(\*) Finishing : Satine brushed (opt. electrostatic powder coating on stainless steel).

<b>Indicators / Illumination</b>	<b>Status - Direction Indicators :</b> LED, standard/LED passageway illumination standard.
<b>Power</b>	<b>Operating Voltage :</b> 110/220V AC 50/60 Hz. (±10%), 24V DC. <b>Consumption :</b> ~16,2W at stand-by, during passage ~7,6+7,6W (varies according to the options and accessories used).
<b>Operating Modes</b>	System operates bi-directionally (entry-exit). Operating modes can be adjusted through the buttons and screen on the control card. Entry - exit controlled      Entry controlled, exit free      Entry free, exit controlled Single input both directions use      Entry - exit free
<b>Operating System</b>	Electromechanical manual operation (opt. electromechanical motorized operation).
<b>Control System</b>	All functions, parameters and operating modes can be adjusted through the buttons and screen on the control card. All inputs are opto-coupler protected. Controllable by dry contact (ground control). Compatible with all kinds of access control device. Optional RS232, RS485 or TCP/IP module is available.
<b>Flow Rate</b>	<b>Passage capacity (manual) :</b> max. 96 cycle/min. <b>Nominal :</b> ~50 pass/min. <b>Passage capacity (motorized) :</b> max. 80 cycle/min. <b>Nominal :</b> ~40 pass/min. (nominal passage rate can change depending on the access control system utilized)
<b>Emergency Mode</b>	System allows free passage (entry-exit) in both directions (fail safe). Works compatible with fire warning and similar systems. At the end of an emergency situation, system returns to its normal operating mode.
<b>Power-off Situation</b>	System allows free passage (entry-exit) in both directions (fail safe). Optionally, can be set (fail secure) as; entry-exit locked, entry free-exit locked, or entry locked-exit free. Free passage in chosen direction by manual override key in fail secure option is available.
<b>Weight</b>	~420 kg
<b>Optional Features and Accessories</b>	Motor driven unit, wireless remote control (receiver-transmitter), manual control, manual override key (with fail secure option), counter (with/without reset), card reader mounting bracket, passage completion sensor, contactless passage sensor (for motorized models), heater positive, canopy, bottom plate (standard or for forklift handling), battery back-up, 316 grade stainless steel, RS232-RS485-TCP/IP modules, limiter, 2120 mm clear passage height, mechanics compartment accessibility from the ceiling, different color choices.



ULDUZLAR ARENASI SİZİ SALAMLAYIR!

RANCE

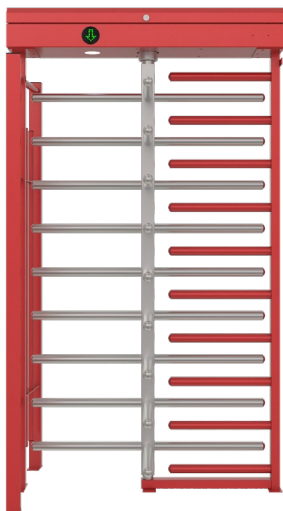
RİŞ

PUBLIC ENT

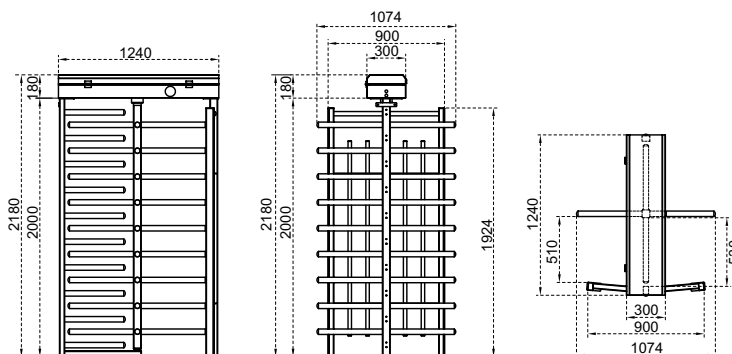
ÜMUMİ C



# BTC 400



Dimensions (mm)



## Technical Features

**Place of Use** Indoors, outdoors

**Operating Temperature, Humidity** -20°C/+68°C (opt. -50°C with heater positive), RH 95% non-condensing.

**Operating Intensity** 100%, 7/24 use.

Built on main carriers and supported with pipe beams on sides, consisting of waterproof and protected top lid with damper for safety. Can be completely disassembled.


Four-section rotor (90°), each having 9 (10 in optional 2120 mm clear passage height) one by one demountable arms. Optionally complies with UK H&S regulation of ≤98 mm gap between upright profiles.

Combination options with different material choices:

### Body / Arm Features

	BTC 400	BTC 400-25	BTC 400-100
<b>Body</b>	Electrostatic powder coating on hot-dip galvanized steel	Electrostatic powder coating on hot-dip galvanized steel	304 grade (opt. 316 grade) stainless steel
<b>Arms</b>	Electrostatic powder coating on hot-dip galvanized steel, Ø42x2,5 mm.	304 grade (opt. 316 grade)* stainless steel, Ø40x2,0 mm.	304 grade (opt. 316 grade)* stainless steel, Ø40x2,0 mm.

(\* Finishing : Satine brushed (opt. electrostatic powder coating on stainless steel).

**Indicators / Illumination** **Status - Direction Indicators** :  LED, standard/LED passageway illumination standard.

**Power** **Operating Voltage** : 110/220V AC 50/60 Hz. (±10%), 24V DC.  
**Consumption** : ~8,1W at stand-by, during passage ~7,6W (varies according to the options and accessories used).

System operates bi-directionally (entry-exit).

**Operating Modes** Operating modes can be adjusted through the buttons and screen on the control card.

Entry - exit controlled                      Entry controlled, exit free                      Entry free, exit controlled  
Single input both directions use                      Entry - exit free

**Operating System** Electromechanical manual operation (opt. electromechanical motorized operation).

All functions, parameters and operating modes can be adjusted through the buttons and screen on the control card.  
All inputs are opto-coupler protected.

**Control System** Controllable by dry contact (ground control).  
Compatible with all kinds of access control device.  
Optional RS232, RS485 or TCP/IP module is available.

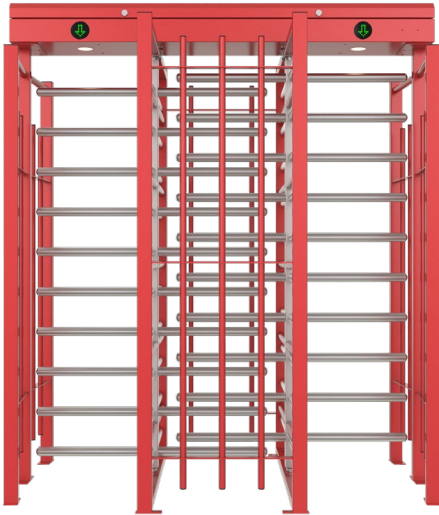
**Flow Rate** **Passage capacity (manual)** : max. 48 cycle/min. **Nominal** : ~25 pass/min.  
**Passage capacity (motorized)** : max. 40 cycle/min. **Nominal** : ~20 pass/min.  
(nominal passage rate can change depending on the access control system utilized)

**Emergency Mode** System allows free passage (entry-exit) in both directions (fail safe). Works compatible with fire warning and similar systems. At the end of an emergency situation, system returns to its normal operating mode.

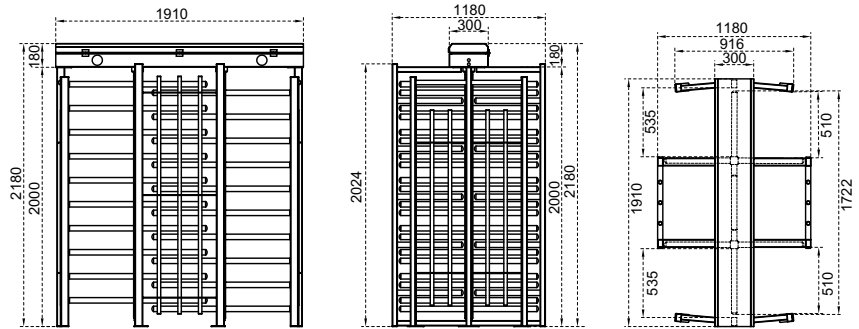
**Power-off Situation** System allows free passage (entry-exit) in both directions (fail safe). Optionally, can be set (fail secure) as; entry-exit locked, entry free-exit locked, or entry locked-exit free. Free passage in chosen direction by manual override key in fail secure option is available.

**Weight** ~145 kg

**Optional Features and Accessories** Motor driven unit, wireless remote control (receiver-transmitter), manual control, manual override key (with fail secure option), counter (with/without reset), card reader mounting bracket, passage completion sensor, contactless passage sensor (for motorized models), heater positive, canopy, bottom plate (standard or for forklift handling), battery back-up, 316 grade stainless steel, RS232-RS485-TCP/IP modules, limiter, 2120 mm clear passage height, trombone arms, different color choices, compliance with UK H&S regulation (≤98 mm gap between up-right profiles).



Dimensions (mm)



## Technical Features

<b>Place of Use</b>	Indoors, outdoors
<b>Operating Temperature, Humidity</b>	-20°C/+68°C (opt. -50°C with heater positive), RH 95% non-condensing.
<b>Operating Intensity</b>	100%, 7/24 use.

Built on main carriers and supported with pipe beams on sides, consisting of waterproof and protected top lid with damper for safety. Can be completely disassembled.

A pair of four-section rotors (90°), each having 10+10 (11+11 in optional 2120 mm clear passage height) one by one demountable arms.



Optionally complies with UK H&S regulation of ≤98 mm gap between upright profiles.

### Body / Arm Features

Combination options with different material choices:

	BTC 400 D	BTC 400 D-25	BTC 400 D-100
<b>Body</b>	Electrostatic powder coating on hot-dip galvanized steel	Electrostatic powder coating on hot-dip galvanized steel	304 grade (opt. 316 grade) stainless steel
<b>Arms</b>	Electrostatic powder coating on hot-dip galvanized steel, Ø42x2,5 mm.	304 grade (opt. 316 grade)* stainless steel, Ø40x2,0 mm.	304 grade (opt. 316 grade)* stainless steel, Ø40x2,0 mm.

(\*) Finishing : Satine brushed (opt. electrostatic powder coating on stainless steel).

<b>Indicators / Illumination</b>	<b>Status - Direction Indicators :</b>   LED, standard/LED passageway illumination standard.
<b>Power</b>	<b>Operating Voltage :</b> 110/220V AC 50/60 Hz. (±10%), 24V DC. <b>Consumption :</b> ~16,2W at stand-by, during passage ~7,6+7,6W (varies according to the options and accessories used).
<b>Operating Modes</b>	System operates bi-directionally (entry-exit). Operating modes can be adjusted through the buttons and screen on the control card. Entry - exit controlled                      Entry controlled, exit free                      Entry free, exit controlled Single input both directions use                      Entry - exit free
<b>Operating System</b>	Electromechanical manual operation (opt. electromechanical motorized operation).
<b>Control System</b>	All functions, parameters and operating modes can be adjusted through the buttons and screen on the control card. All inputs are opto-coupler protected. Controllable by dry contact (ground control). Compatible with all kinds of access control device. Optional RS232, RS485 or TCP/IP module is available.
<b>Flow Rate</b>	<b>Passage capacity (manual) :</b> max. 96 cycle/min. <b>Nominal :</b> ~50 pass/min. <b>Passage capacity (motorized) :</b> max. 80 cycle/min. <b>Nominal :</b> ~40 pass/min. (nominal passage rate can change depending on the access control system utilized)
<b>Emergency Mode</b>	System allows free passage (entry-exit) in both directions (fail safe). Works compatible with fire warning and similar systems. At the end of an emergency situation, system returns to its normal operating mode.
<b>Power-off Situation</b>	System allows free passage (entry-exit) in both directions (fail safe). Optionally, can be set (fail secure) as; entry-exit locked, entry free-exit locked, or entry locked-exit free. Free passage in chosen direction by manual override key in fail secure option is available.
<b>Weight</b>	~345 kg
<b>Optional Features and Accessories</b>	Motor driven unit, wireless remote control (receiver-transmitter), manual control, manual override key (with fail secure option), counter (with/without reset), card reader mounting bracket, passage completion sensor, contactless passage sensor (for motorized models), heater positive, canopy, bottom plate (standard or for forklift handling), battery back-up, 316 grade stainless steel, RS232-RS485-TCP/IP modules, limiter, 2120 mm clear passage height, different color choices, compliance with UK H&S regulation of ≤98 mm gap between upright profiles.

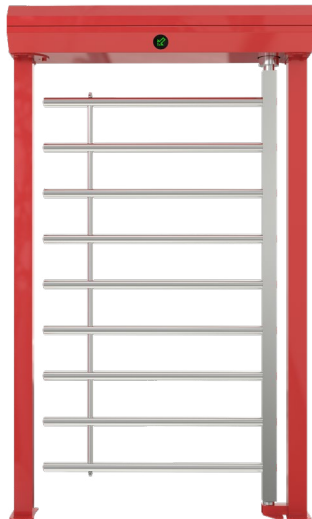




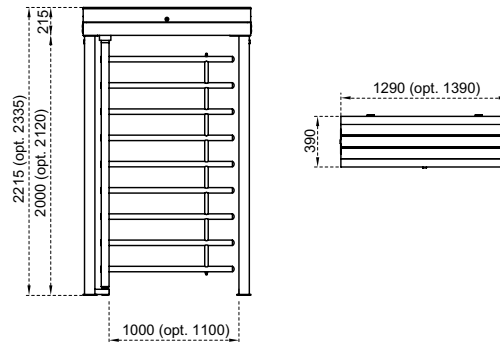
## EXIT GATES

98	BT 100 (MOTORIZED)
99	PEGA 100 (MANUAL)

# BT 100 (MOTORIZED)



Dimensions (mm)



## Technical Features

**Place of Use** Indoors, outdoors

**Operating Temperature, Humidity** -20°C/+68°C (opt. -50°C with heater positive), RH 95% non-condensing.

**Operating Intensity** 100%, 7/24 use.

Built on box beam main carriers and consisting of waterproof and protected top lid with damper for safety. Can be completely disassembled.

Single-section rotor having 9 (10 in optional 2120 mm clear passage height) one by one demountable arms.

Combination options with different material choices:

Body / Arm Features	BT 100	BT 100-25	BT 100-100
<b>Body</b>	Electrostatic powder coating on hot-dip galvanized steel	Electrostatic powder coating on hot-dip galvanized steel	304 grade (opt. 316 grade) stainless steel
<b>Arms</b>	Electrostatic powder coating on hot-dip galvanized steel, Ø42x2,5 mm.	304 grade (opt. 316 grade)* stainless steel, Ø40x2,0 mm.	304 grade (opt. 316 grade)* stainless steel, Ø40x2,0 mm.

(\*) Finishing : Satine brushed (opt. electrostatic powder coating on stainless steel).

**Indicators / Illumination** **Status - Direction Indicators** : LED, standard/LED passageway illumination standard.

**Power** **Operating Voltage** : 110/220V AC 50/60 Hz. (%±10), 24V DC.  
**Consumption** : ~8W at stand-by, max ~44W (varies according to the options and accessories used).

**Operating Modes** System operates bi-directionally (entry-exit).  
Operating modes can be adjusted through the buttons and screen on the control card.  
Entry - exit controlled                      Entry - exit free (with optional photocell support)                      Entry controlled, exit free (with optional photocell support)  
Entry free, exit controlled (with optional photocell support)

**Operating System** Electromechanical motorized operation.

**Control System** All functions, parameters and operating modes can be adjusted through the buttons and screen on the control card.  
All inputs are opto-coupler protected.  
Controllable by dry contact (ground control).  
Compatible with all kinds of access control device.  
Optional RS232, RS485 or TCP/IP module is available.

**Flow Rate** Wing opening/closing time : ~1,5 sec.

**Emergency Mode** System provides a free passageway (entry-exit) by opening the wing in preferred direction configured by dip switch (fail safe). Works compatible with fire warning and similar systems. At the end of an emergency situation, system returns to its normal operating mode.

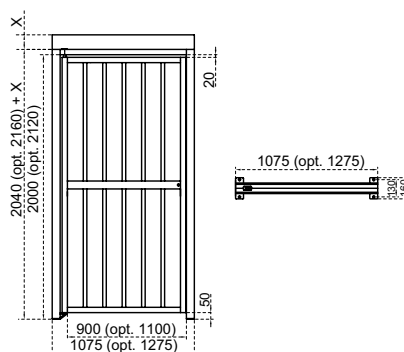
**Power-off Situation** System provides a free passageway (entry-exit) by manually pushing the wing towards entry or exit directions (fail safe). Optionally, can be set as entry-exit locked (fail secure). Free passageway can be granted by manual override key in fail secure option.

**Weight** ~105 kg

**Optional Features and Accessories** Wireless remote control (receiver-transmitter), manual control, manual override key (with fail secure option), counter (with/without reset), card reader mounting bracket, heater positive, canopy, bottom plate (standard or for forklift handling), battery back-up, 316 grade stainless steel, RS232-RS485-TCP/IP modules, limiter, 2120 mm clear passage height, 900-1100 mm clear passage width, trombone arms, photocell for free mode, different color choices.



Dimensions (mm)



## Technical Features

**Place of Use** Indoors, outdoors

**Operating Intensity** 100%, 7/24 use.

Built on box beam main carriers and consisting of complementary top panels. 90° opening wing frame consists of box beams and pipes.

Combination options with different material choices:

	PEGA 100	PEGA 100-25	PEGA 100-100
<b>Body / Wing Features</b>			
<b>Body</b>	Electrostatic powder coating on hot-dip galvanized steel	Electrostatic powder coating on hot-dip galvanized steel	304 grade (opt. 316 grade) stainless steel
<b>Wing</b>	Electrostatic powder coating on hot-dip galvanized steel	304 grade (opt. 316 grade)* stainless steel	304 grade (opt. 316 grade)* stainless steel.

(\*) Finishing : Satine brushed (opt. electrostatic powder coating on stainless steel).

**Power** **Operating Voltage** : None for standard model (24V DC for optional electromagnetic lock).

**Operating Modes** System operates uni-directionally (clockwise or anti-clockwise). Wing opens and closes 90° by pushing.

**Operating System** Mechanical manual operation with standard manual lock.

**Emergency Mode** System provides a free passageway (entry-exit) by opening the lock manually and pushing the wing. Wing becomes free for a passageway (entry-exit) with optional electromagnetic lock and works compatible with fire warning and similar systems. At the end of an emergency situation, system returns to its normal operating mode (in case there is a hydraulic door closer).

**Power-off Situation** Electromagnetic lock (if any) becomes disabled, and the wing is pushed manually to create a free passageway.

**Weight** ~60 kg

**Optional Features and Accessories** Wireless remote control (receiver-transmitter, with electromagnetic lock option), manual control (with electromagnetic lock option), electromagnetic lock, 316 grade stainless steel, 2120 mm clear passage height, 900-1100 mm clear passage width, LED status indicator (with electromagnetic lock option), hydraulic door closer, different color choices.



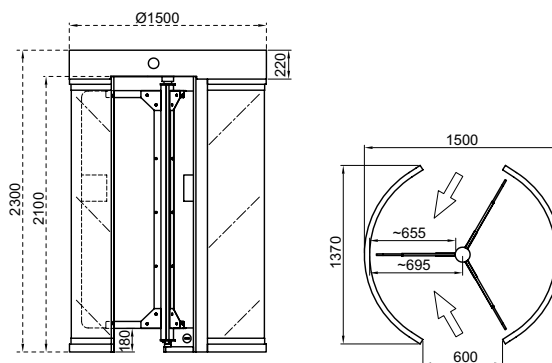
## GLASS FULL HEIGHT SERIES

102 BT 302 GL  
103 BT 402 GL

# BT 302 GL



## Dimensions (mm)



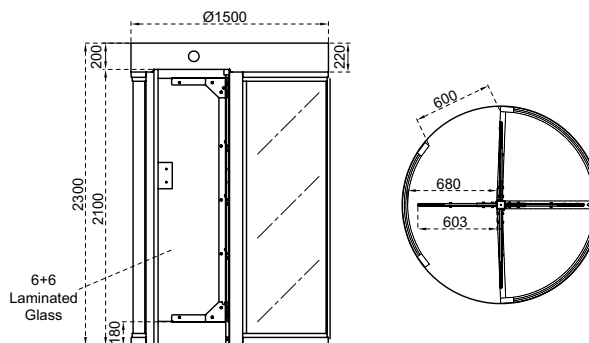
## Technical Features

<b>Place of Use</b>	Indoors (opt. outdoors)						
<b>Operating Temperature, Humidity</b>	-20°C/+68°C (opt. -50°C with heater positive), RH 95% non-condensing.						
<b>Operating Intensity</b>	100%, 7/24 use.						
<b>Body / Wing Features</b>	<p>Built on stainless steel main carrier beams, supported with box beams on sides, contains rounded glass walls, protecting top lid, mechanical compartment side panels and completely closed ceiling. The mechanics compartment is accessible from the ceiling. Contains three-wings rotor (120°).</p> <table border="1"> <tr> <td><b>Body</b></td> <td>304 grade (opt. 316 grade)* stainless steel body and 4+4 mm laminated glass walls.</td> </tr> <tr> <td><b>Wings</b></td> <td>12 mm tempered glass mounted on 304 grade (opt. 316 grade)* stainless steel rotor.</td> </tr> </table> <p>(*) Finishing : Orbital brushed matt.</p>	<b>Body</b>	304 grade (opt. 316 grade)* stainless steel body and 4+4 mm laminated glass walls.	<b>Wings</b>	12 mm tempered glass mounted on 304 grade (opt. 316 grade)* stainless steel rotor.		
<b>Body</b>	304 grade (opt. 316 grade)* stainless steel body and 4+4 mm laminated glass walls.						
<b>Wings</b>	12 mm tempered glass mounted on 304 grade (opt. 316 grade)* stainless steel rotor.						
<b>Indicators / Illumination</b>	<b>Status - Direction Indicators :</b> LED, standard/LED passageway illumination standard.						
<b>Power</b>	<p><b>Operating Voltage :</b> 110/220V AC 50/60 Hz. (%±10), 24V DC.</p> <p><b>Consumption :</b> ~14W at stand-by, max ~50W (varies according to the options and accessories used).</p>						
<b>Operating Modes</b>	<p>System operates bi-directionally (entry-exit).</p> <p>Operation modes can be changed through dip switch, IOS and/or android app.</p> <table border="0"> <tr> <td>Entry - exit controlled</td> <td>Entry controlled, exit free</td> <td>Entry free, exit controlled</td> </tr> <tr> <td>Single input both directions use</td> <td>Entry - exit free</td> <td></td> </tr> </table>	Entry - exit controlled	Entry controlled, exit free	Entry free, exit controlled	Single input both directions use	Entry - exit free	
Entry - exit controlled	Entry controlled, exit free	Entry free, exit controlled					
Single input both directions use	Entry - exit free						
<b>Operating System</b>	Electromechanical manual operation (opt. electromechanical motorized operation).						
<b>Control System</b>	<p>All functions, parameters and operating modes can be changed through the control board (microprocessor controlled), IOS and/or android app. Firmware can be updated. All past function updates and changes are kept in the server and records can be traced.</p> <p>All inputs are opto-coupler protected.</p> <p>Controllable by dry contact (ground control).</p> <p>Compatible with all kinds of access control device.</p> <p>Optional RS232, RS485 or TCP/IP module is available.</p>						
<b>Flow Rate</b>	<p><b>Passage capacity (manual) :</b> max. 30 cycle/min. <b>Nominal :</b> ~20 pass/min.</p> <p><b>Passage capacity (motorized) :</b> max. 20 cycle/min. <b>Nominal :</b> ~15 pass/min.</p> <p>(nominal passage rate can change depending on the access control system utilized)</p>						
<b>Emergency Mode</b>	System allows free passage (entry-exit) in both directions (fail safe). Works compatible with fire warning and similar systems. At the end of an emergency situation, system returns to its normal operating mode.						
<b>Power-off Situation</b>	System allows free passage (entry-exit) in both directions (fail safe). Optionally, can be set (fail secure) as; entry-exit locked, entry free-exit locked, or entry locked-exit free. Free passage in chosen direction by manual override key in fail secure option is available.						
<b>Weight</b>	~560 kg						
<b>Optional Features and Accessories</b>	Motor driven unit, wireless remote control (receiver-transmitter), manual control, manual override key (with fail secure option), counter (with/without reset), card reader mounting bracket, passage completion sensor, contactless passage sensor (for motorized models), heater positive, bottom plate (standard or for forklift handling), battery back-up, 316 grade stainless steel, RS232-RS485-TCP/IP modules, limiter.						



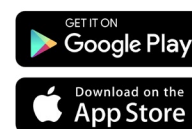


Dimensions (mm)



## Technical Features

<b>Place of Use</b>	Indoors, outdoors				
<b>Operating Temperature, Humidity</b>	-20°C/+68°C (opt. -50°C with heater positive), RH 95% non-condensing.				
<b>Operating Intensity</b>	100%, 7/24 use.				
<b>Body / Wing Features</b>	<p>Built on stainless steel main carrier beams, supported with box beams on sides, contains rounded glass walls, protecting top lid, mechanical compartment side panels and completely closed ceiling. The mechanics compartment is accessible from the ceiling. Contains four-wings rotor (90°).</p> <table border="1"> <tr> <td><b>Body</b></td> <td>304 grade (opt. 316 grade)* stainless steel body and 4+4 mm laminated glass walls.</td> </tr> <tr> <td><b>Wings</b></td> <td>12 mm tempered glass mounted on 304 grade (opt. 316 grade)* stainless steel rotor.</td> </tr> </table> <p>(*) Finishing : Orbital brushed matt.</p>	<b>Body</b>	304 grade (opt. 316 grade)* stainless steel body and 4+4 mm laminated glass walls.	<b>Wings</b>	12 mm tempered glass mounted on 304 grade (opt. 316 grade)* stainless steel rotor.
<b>Body</b>	304 grade (opt. 316 grade)* stainless steel body and 4+4 mm laminated glass walls.				
<b>Wings</b>	12 mm tempered glass mounted on 304 grade (opt. 316 grade)* stainless steel rotor.				
<b>Indicators / Illumination</b>	<b>Status - Direction Indicators :</b> LED, standard/LED passageway illumination standard.				
<b>Power</b>	<b>Operating Voltage :</b> 110/220V AC 50/60 Hz. (±10%), 24V DC. <b>Consumption :</b> ~14W at stand-by, max ~50W (varies according to the options and accessories used).				
<b>Operating Modes</b>	System operates bi-directionally (entry-exit). Operation modes can be changed through dip switch, IOS and/or android app. Entry - exit controlled                      Entry controlled, exit free                      Entry free, exit controlled Single input both directions use                      Entry - exit free				
<b>Operating System</b>	Electromechanical manual operation (opt. electromechanical motorized operation).				
<b>Control System</b>	All functions, parameters and operating modes can be changed through the control board (microprocessor controlled), IOS and/or android app. Firmware can be updated. All past function updates and changes are kept in the server and records can be traced. All inputs are opto-coupler protected. Controllable by dry contact (ground control). Compatible with all kinds of access control device. Optional RS232, RS485 or TCP/IP module is available.				
<b>Flow Rate</b>	<b>Passage capacity (manual) :</b> max. 30 cycle/min. <b>Nominal :</b> ~20 pass/min. <b>Passage capacity (motorized) :</b> max. 20 cycle/min. <b>Nominal :</b> ~15 pass/min. (nominal passage rate can change depending on the access control system utilized)				
<b>Emergency Mode</b>	System allows free passage (entry-exit) in both directions (fail safe). Works compatible with fire warning and similar systems. At the end of an emergency situation, system returns to its normal operating mode.				
<b>Power-off Situation</b>	System allows free passage (entry-exit) in both directions (fail safe). Optionally, can be set (fail secure) as; entry-exit locked, entry free-exit locked, or entry locked-exit free. Free passage in chosen direction by manual override key in fail secure option is available.				
<b>Weight</b>	~590 kg				
<b>Optional Features and Accessories</b>	Motor driven unit, wireless remote control (receiver-transmitter), manual control, manual override key (with fail secure option), counter (with/without reset), card reader mounting bracket, passage completion sensor, contactless passage sensor (for motorized models), heater positive, bottom plate (standard or for forklift handling), battery back-up, 316 grade stainless steel, RS232-RS485-TCP/IP modules, limiter.				







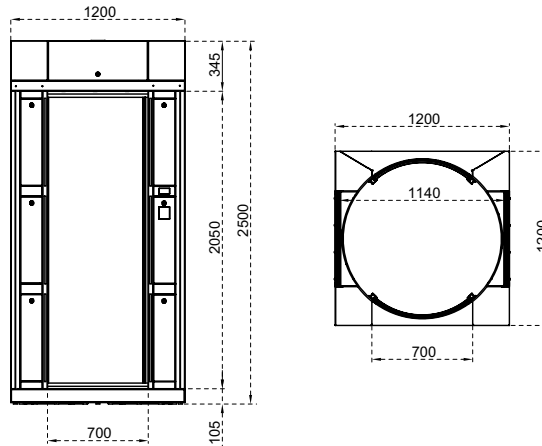
## HIGH SECURITY SERIES

106	CGG - SQ - AIR
112	CGG 100
114	CGC 100

# CGG - SQ - AIR



Dimensions (mm)



## Technical Features

<b>Place of Use</b>	Indoors
<b>Operating Temperature, Humidity</b>	-20°C/+68°C (opt. -50°C with heater positive), RH 95% non-condensing.
<b>Operating Intensity</b>	100%, 7/24 use.

Made of 4 supporting main carrier columns placed on the lower chassis, glass walls and a completely closed ceiling with 2 lockable lids. Main carrier columns consist of 3 sections designed for installation of electronic system, card reader and access control systems. Optionally, a control point is available for real person verification (with biometric reader systems) with a column mounted in the passage corridor.

System has a rotating door structure independently on the entry and exit sides consisting of box profiles and rounded glass walls on the edges.

### Body / Door Features

Gate is furnished with anti-tightening feature by rubber seals with pneumatic pressure sensor on glass doors and electronic torque control.

<b>Body</b>	Electrostatic powder coated (RAL 7021) steel body, 4+4 mm laminated glass (opt. BR class bullet-proof glass) walls.
<b>Doors</b>	Electrostatic powder coated (RAL 7021) aluminium beams, 4+4 mm rounded laminated glass (opt. BR class bullet-proof glass).

(\*) Finishing : Orbital brushed matt.

<b>Indicators / Illumination</b>	<b>Status - Direction Indicators :</b> DOT MATRIX and strip LED, standard / LED interior illumination standard.
----------------------------------	---

<b>Power</b>	<b>Operating Voltage :</b> 110/220V AC 50/60 Hz. (%±10), 24V DC. <b>Consumption :</b> ~40W at stand-by, max ~130W (varies according to the options and accessories used).
--------------	--

System operates bi-directionally (entry-exit).

Operation modes can be changed through dip switch, IOS and/or android app.

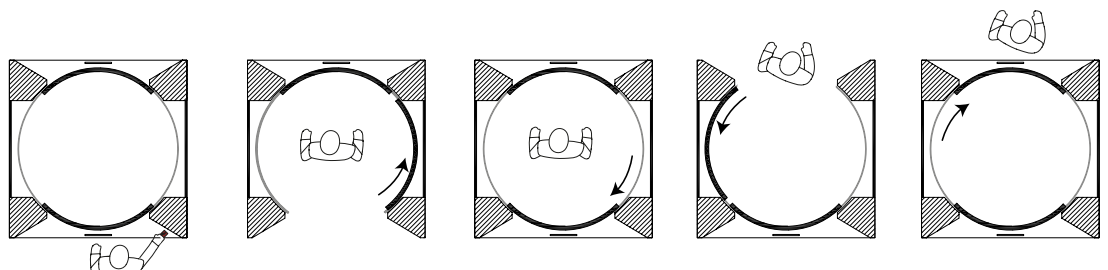
### Operating Modes

Entry - exit controlled                      Entry controlled, exit free                      Entry free, exit controlled  
Entry - exit free                                  Entry-exit internal biometric control mode  
Can be customised for site specific access algorithms.

### Operating System

Electromechanical motorised doors are closed for both ways at stand-by (opt. open for one direction).

Person requests authorisation from the access control device (3rd party device) connected to the gate's entry system. Upon authorisation, first door opens allowing person enter inside. First door closes upon detection of the person inside by the presence sensor on the gate ceiling (in case the person do not enter, door closes at the end of time-out set previously). At both doors in closed position, weight and presence sensors once more control the presence of the person inside. Second doors opens in case there is a person inside and if he is authorised for access (otherwise, second door never opens, gate returns the person to his entry direction or keeps the person locked inside). Upon exit of the person, second door closes and systems returns to stand-by for next passage.



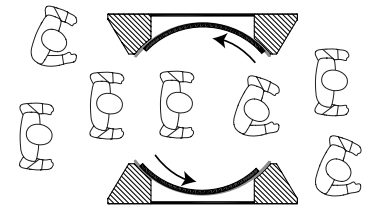
Optionally, a control point is available for real person verification (with 3rd party product biometric reader systems) with a column mounted in the passage corridor. Upon presence inside and at doors closed position, person requests a second authorisation and according to the authorisation, the second door opens and person completes his passage or returns to his entry direction. At the end of the process, door returns to stand-by position and remains locked.

In case of pushing the emergency rescue button inside the cabin, the entry door opens (or can be programmed for another action). Gate generates audio and/or visual alarm or relay output in cases of; passage can not be completed on time, the door is forced, presence of more than one person inside is detected, non-authorisation, the emergency rescue button is pushed, an unsolicited situation detected by the sensors.

All functions, parameters and operating modes can be changed through the control board (microprocessor controlled), IOS and/or android app. Firmware can be updated. All past function updates and changes are kept in the server and records can be traced. All inputs are opto-coupler protected. Controllable by dry contact (ground control). Compatible with all kinds of access control device. Optional RS232, RS485 or TCP/IP module is available. Gate operates by a position controlled (by encoder) motor driven and electronic torque controlled system. Functions such as all sensors, motor, indicators, passage scenarios and alarms are controlled by the electronic control unit containing a programmable microprocessor. Thanks to the microprocessors, no re-setting is necessary in case of a power failure. Electronic control unit is placed into the main carrier columns of the gate. Passage can be restricted externally by enable/disable feature even though access authorisation has been granted. Gate has a vibration resistant, microprocessor controlled, industrial design adaptable to meet any user demand. Motor driven, two independent mechanics systems are controlled by a single electronic control unit. Rotation speed and limitations of the doors are managed by encoder controlled P.I.D. system. Rotation speeds are continuously checked with the feedback from the encoder and motor driver card keeps the speed at the same level preventing slower or faster rotation. An electronic control card controlling the mechanics regulates all movements and outputs and in case of need a 485 output is optionally available for PC.

**Flow Rate** **Passage capacity (motorized) :** ~4 person/min.  
(Passage capacity can change depending on the access control system utilized)

**Emergency Mode** Both doors open automatically and system allows free passage (entry-exit) in both directions (fail safe). Works compatible with fire warning and similar systems. At the end of an emergency situation, system returns to its normal operating mode.



**Power-off Situation** System allows free passage (entry-exit) in both directions (fail safe) by pushing the doors manually. Optionally, can be set entry-exit locked (fail secure). Free passage by manual override key in fail secure option is available.

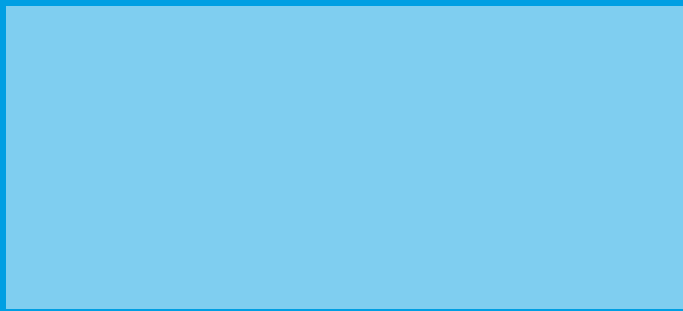
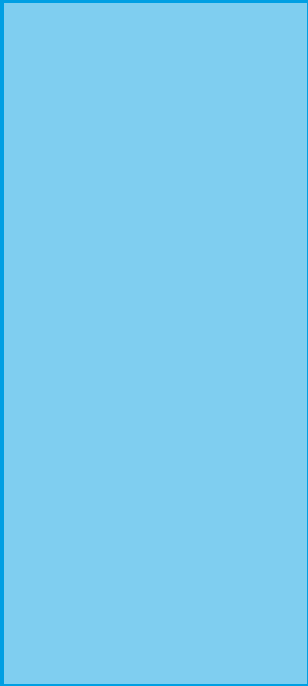
**Weight** ~460 kg

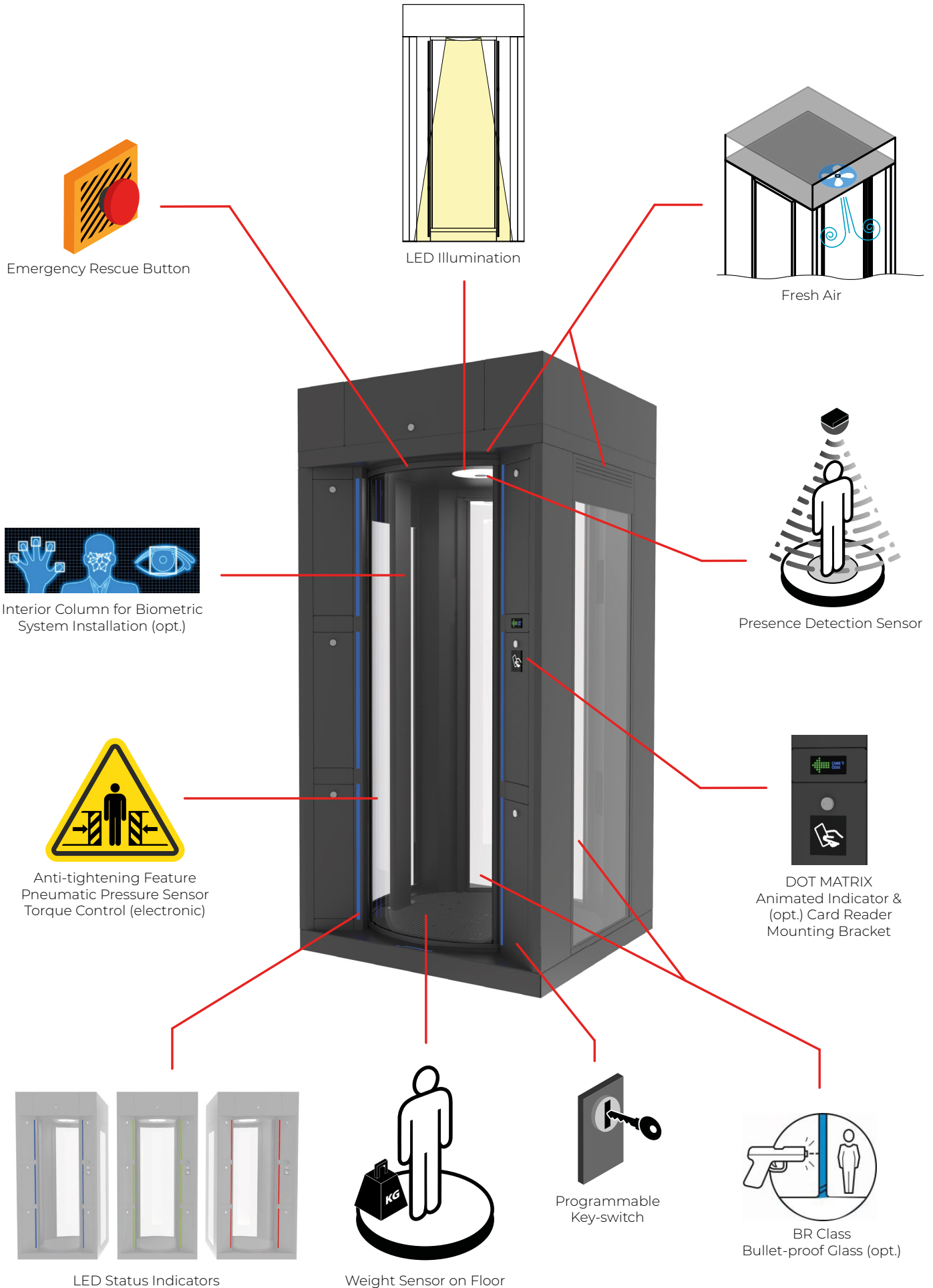
**Safety** Moving doors contain pneumatic soft pressure sensors. In addition to pneumatic sensors, electronic torque control feature has been added. Continuous fresh air ventilation is provided in the passage area.

**Cleaning, Maintenance, Manual Interference** Gate is furnished by a programmable key switch button on one side of the gate adjacent to the door. This button is programmable for the function desired by the user and set as default for opening one door for cleaning-maintenance or can be programmed for various requirements (i.e. manually evacuation of the person inside, unlocking of 1st or 2nd door, etc).

**Optional Features and Accessories** Interior biometric system mounting column, card reader mounting bracket, mounting/connection guide for any type of safety sensors and detectors, BR class bullet-proof glass, different color options, manual override key (with fail secure option), heater positive, battery back-up, 316 grade stainless steel, RS232-RS485-TCP/IP modules, limiter, motorized card collector unit and card collection box.







\*Design and specifications are subject to change without notice.



UYGUN  
DİYER KİMYASALLAR  
KULLANILMAMALI  
BESLİYENLERİN  
KULLANILMAMALI  
OLMASI İÇİN



**KAPİYİ  
AÇMAK İÇİN**

1. SIF  
RENİ  
GİR

2. AYDÜ  
İÇİNİ  
OKUT

SAĞ  
KAPISINI  
AÇMAK İÇİN



Hafız İc Ağız: 07.00  
Kapatış: 23.00  
Hafız İc Ağız: 08.00  
Kapatış: 23.00

LETTIC  
İTİ BİLGİLERİ  
KAPATILAN  
KAPILARIN  
KULLANIMI  
DİKKATİNE  
ALINMALI



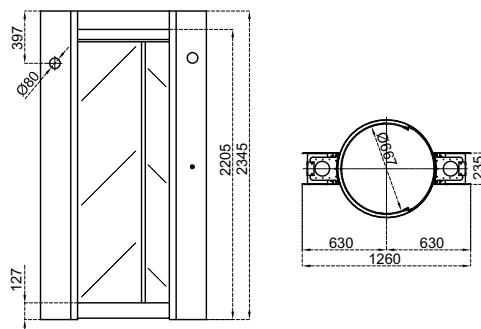
**KAPİYİ  
AÇMAK İÇİN**

1. SIF-  
RENİ  
GİR
2. AVUÇ  
İÇİNİ  
OKUT



# CGG 100





## Dimensions (mm)



## Technical Features

<b>Place of Use</b>	Indoors				
<b>Operating Temperature, Humidity</b>	-20°C/+68°C (opt. -50°C with heater positive), RH 95% non-condensing.				
<b>Operating Intensity</b>	100%, 7/24 use.				
<b>Body / Door Features</b>	Made of 4 supporting main carrier columns and pipe beams placed on the lower chassis, rounded glass walls body and top lid and a completely closed ceiling. Main carrier columns are designed for installation of electronic system, card reader and access control systems. Side columns are designed for installation between walls.				
	<table border="1"> <tr> <td><b>Body</b></td> <td>Electrostatic powder coated steel and 304 grade stainless steel body, 4+4 mm laminated glass walls.</td> </tr> <tr> <td><b>Doors</b></td> <td>4+4 mm rounded laminated glass.</td> </tr> </table>	<b>Body</b>	Electrostatic powder coated steel and 304 grade stainless steel body, 4+4 mm laminated glass walls.	<b>Doors</b>	4+4 mm rounded laminated glass.
<b>Body</b>	Electrostatic powder coated steel and 304 grade stainless steel body, 4+4 mm laminated glass walls.				
<b>Doors</b>	4+4 mm rounded laminated glass.				
<b>Indicators / Illumination</b>	<b>Status - Direction Indicators :</b>   LED standard / LED interior illumination and LED interior indicators standard.				
<b>Power</b>	<b>Operating Voltage :</b> 110/220V AC 50/60 Hz. (%±10), 24V DC. <b>Consumption :</b> ~20W at stand-by, max ~130W (varies according to the options and accessories used).				
<b>Operating Modes</b>	System operates bi-directionally (entry-exit). Operation modes can be changed through dip switch, IOS and/or android app. Entry - exit controlled                      Entry controlled, exit free Entry free, exit controlled                      Entry - exit internal biometric control mode Can be customised for site specific access algorithms.				
<b>Operating System</b>	Electromechanical motorised doors are closed for both ways at stand-by (opt. open for one direction). Person requests authorisation from the access control device (3rd party device) connected to the gate's entry system. Upon authorisation, door opens allowing person enter inside. Door closes upon detection of the person inside by the presence sensor on the gate ceiling (in case the person do not enter, door closes at the end of time-out set previously). Weight and presence sensors once more control the presence of the person inside. Door opens to the exit direction in case there is a person inside and if he is authorised for access (otherwise, door never opens to the exit direction, gate returns the person to his entry direction or keeps the person locked inside). Upon exit of the person, door closes and systems returns to stand-by for next passage.  Optionally, a control point is available for real person verification (with 3rd party product biometric reader systems) with a column mounted in the passage corridor. Upon presence inside and at door closed position, person requests a second authorisation and according to the authorisation, the door opens and person completes his passage or returns to his entry direction. At the end of the process, door returns to stand-by position and remains locked.  In case of pushing the emergency rescue button inside the cabin, the door opens to the entry direction (or can be programmed for another action). Gate generates audio and/or visual alarm and relay output in cases of; passage can not be completed on time, the door is forced, presence of more than one person inside is detected, non-authorisation, the emergency rescue button is pushed, an unsolicited situation detected by the sensors.				

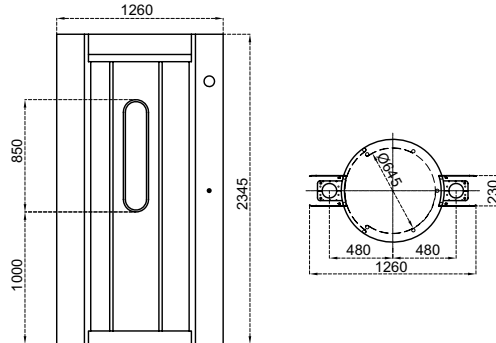


<b>Control System</b>	<p>All functions, parameters and operating modes can be changed through the control board (microprocessor controlled), IOS and/or android app. Firmware can be updated. All past function updates and changes are kept in the server and records can be traced.                  All inputs are opto-coupler protected.                  Controllable by dry contact (ground control).                  Compatible with all kinds of access control device.                  Optional RS232, RS485 or TCP/IP module is available.                  Gate operates by a position controlled (by encoder) motor driven and electronic torque controlled system.                  Functions such as all sensors, motor, indicators, passage scenarios and alarms are controlled by the electronic control unit containing a programmable microprocessor. Thanks to the microprocessors, no re-setting is necessary in case of a power failure. Electronic control unit is placed into the main carrier columns of the gate.                  Passage can be restricted externally by enable/disable feature even though access authorisation has been granted.                  Gate has a vibration resistant, microprocessor controlled, industrial design adaptable to meet any user demand. Motor driven door is controlled by an electronic control unit.                  Rotation speed and limitations of the doors are managed by encoder controlled P.I.D. system. Rotation speeds are continuously checked with the feedback from the encoder and motor driver card keeps the speed at the same level preventing slower or faster rotation.                  An electronic control card controlling the mechanics regulates all movements and outputs and in case of need a 485 output is optionally available for PC.</p>	 
<b>Flow Rate</b>	<p><b>Passage capacity (motorized) :</b> ~4 person/min.                  (Passage capacity can change depending on the access control system utilized)</p>	
<b>Emergency Mode</b>	<p>System allows free passage (entry-exit) in both directions (fail safe) by pushing the door manually. Works compatible with fire warning and similar systems. At the end of an emergency situation, system returns to its normal operating mode.</p>	
<b>Power-off Situation</b>	<p>System allows free passage (entry-exit) in both directions (fail safe) by pushing the doors manually. Optionally, can be set entry-exit locked (fail secure). Free passage by manual override key in fail secure option is available.</p>	
<b>Weight</b>	<p>~300 kg</p>	
<b>Cleaning, Maintenance, Manual Interference</b>	<p>Gate is furnished by a programmable key switch button on one side of the gate adjacent to the door.                  This button is programmable for the function desired by the user and set as default for opening the door for cleaning-maintenance or can be programmed for various requirements (i.e. manually evacuation of the person inside, unlocking of the door, etc).</p>	
<b>Optional Features and Accessories</b>	<p>Weight sensor, interior biometric system mounting column, card reader mounting bracket, mounting/connection guide for any type of safety sensors and detectors, different color options, manual override key (with fail secure option), heater positive, battery back-up, RS232-RS485-TCP/IP modules, limiter, motorized card collector unit and card collection box.</p>	



# CGC 100





## Dimensions (mm)



## Technical Features

<b>Place of Use</b>	Indoors				
<b>Operating Temperature, Humidity</b>	-20°C/+68°C (opt. -50°C with heater positive), RH 95% non-condensing.				
<b>Operating Intensity</b>	100%, 7/24 use.				
<b>Body / Door Features</b>	<p>Made of 4 supporting main carrier columns and pipe beams placed on the lower chassis, rounded stainless steel walls body and top lid and a completely closed ceiling. Main carrier columns are designed for installation of electronic system, card reader and access control systems. Side columns are designed for installation between walls.</p> <table border="1"> <tr> <td><b>Body</b></td> <td>Electrostatic powder coated steel and 304 grade stainless steel.</td> </tr> <tr> <td><b>Doors</b></td> <td>Rounded form 304 grade stainless steel and acrylic window.</td> </tr> </table>	<b>Body</b>	Electrostatic powder coated steel and 304 grade stainless steel.	<b>Doors</b>	Rounded form 304 grade stainless steel and acrylic window.
<b>Body</b>	Electrostatic powder coated steel and 304 grade stainless steel.				
<b>Doors</b>	Rounded form 304 grade stainless steel and acrylic window.				
<b>Indicators / Illumination</b>	<b>Status - Direction Indicators :</b>   LED standard / LED interior illumination and interior indicators standard.				
<b>Power</b>	<p><b>Operating Voltage</b> : 110/220V AC 50/60 Hz. (%±10), 24V DC.</p> <p><b>Consumption</b> : ~20W at stand-by, max ~130W (varies according to the options and accessories used).</p>				
<b>Operating Modes</b>	<p>System operates bi-directionally (entry-exit).            Operation modes can be changed through dip switch, IOS and/or android app.            Entry - exit controlled                      Entry controlled, exit free            Entry free, exit controlled                  Entry - exit internal biometric control mode            Can be customised for site specific access algorithms.</p>				
<b>Operating System</b>	<p>Electromechanical motorised doors are closed for both ways at stand-by (opt. open for one direction).            Person requests authorisation from the access control device (3rd party device) connected to the gate's entry system. Upon authorisation, door opens allowing person enter inside. Door closes upon detection of the person inside by the presence sensor on the gate ceiling (in case the person do not enter, door closes at the end of time-out set previously). Weight and presence sensors once more control the presence of the person inside. Door opens to the exit direction in case there is a person inside and if he is authorised for access (otherwise, door never opens to the exit direction, gate returns the person to his entry direction or keeps the person locked inside). Upon exit of the person, door closes and systems returns to stand-by for next passage.</p> <p>Optionally, a control point is available for real person verification (with 3rd party product biometric reader systems) with a column mounted in the passage corridor. Upon presence inside and at door closed position, person requests a second authorisation and according to the authorisation, the door opens and person completes his passage or returns to his entry direction. At the end of the process, door returns to stand-by position and remains locked.</p> <p>In case of pushing the emergency rescue button inside the cabin, the door opens to the entry direction (or can be programmed for another action).            Gate generates audio and/or visual alarm and relay output in cases of; passage can not be completed on time, the door is forced, presence of more than one person inside is detected, non-authorisation, the emergency rescue button is pushed, an unsolicited situation detected by the sensors.</p>				

<b>Control System</b>	<p>All functions, parameters and operating modes can be changed through the control board (microprocessor controlled), IOS and/or android app. Firmware can be updated. All past function updates and changes are kept in the server and records can be traced.</p> <p>All inputs are opto-coupler protected.</p> <p>Controllable by dry contact (ground control).</p> <p>Compatible with all kinds of access control device.</p> <p>Optional RS232, RS485 or TCP/IP module is available.</p> <p>Gate operates by a position controlled (by encoder) motor driven and electronic torque controlled system.</p> <p>Functions such as all sensors, motor, indicators, passage scenarios and alarms are controlled by the electronic control unit containing a programmable microprocessor. Thanks to the microprocessors, no re-setting is necessary in case of a power failure. Electronic control unit is placed into the main carrier columns of the gate.</p> <p>Passage can be restricted externally by enable/disable feature even though access authorisation has been granted.</p> <p>Gate has a vibration resistant, microprocessor controlled, industrial design adaptable to meet any user demand. Motor driven door is controlled by an electronic control unit.</p> <p>Rotation speed and limitations of the doors are managed by encoder controlled P.I.D. system. Rotation speeds are continuously checked with the feedback from the encoder and motor driver card keeps the speed at the same level preventing slower or faster rotation.</p> <p>An electronic control card controlling the mechanics regulates all movements and outputs and in case of need a 485 output is optionally available for PC.</p>	 
<b>Flow Rate</b>	<p><b>Passage capacity (motorized) :</b> ~4 person/min. (Passage capacity can change depending on the access control system utilized)</p>	
<b>Emergency Mode</b>	<p>System allows free passage (entry-exit) in both directions (fail safe) by pushing the door manually. Works compatible with fire warning and similar systems. At the end of an emergency situation, system returns to its normal operating mode.</p>	
<b>Power-off Situation</b>	<p>System allows free passage (entry-exit) in both directions (fail safe) by pushing the doors manually. Optionally, can be set entry-exit locked (fail secure). Free passage by manual override key in fail secure option is available.</p>	
<b>Weight</b>	<p>~260 kg</p>	
<b>Cleaning, Maintenance, Manual Interference</b>	<p>Gate is furnished by a programmable key switch button on one side of the gate adjacent to the door. This button is programmable for the function desired by the user and set as default for opening the door for cleaning-maintenance or can be programmed for various requirements (i.e. manually evacuation of the person inside, unlocking of the door, etc).</p>	
<b>Optional Features and Accessories</b>	<p>Weight sensor, interior biometric system mounting column, card reader mounting bracket, mounting/connection guide for any type of safety sensors and detectors, different color options, manual override key (with fail secure option), heater positive, battery back-up, RS232-RS485-TCP/IP modules, limiter, motorized card collector unit and card collection box.</p>	

# ACCESSORIES



**Automatic Drop (Retractable) Arm**



**Manual Controls**



**Counter**



**Coin Mechanism**



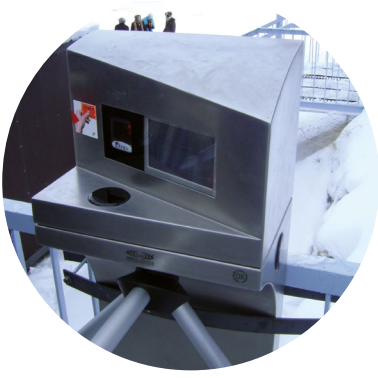
**Card Reader Mounting Poles**



**Card Reader Mounting Brackets**



# CUSTOMISATIONS



**CAME**  **ÖZAK**



# CAME ÖZAK

## ÖZAK GEÇİŞ TEKNOLOJİLERİ

### SAN. TİC. A.Ş.

Köseköy, Çuhane Cd.  
N:130 41080 Kartepe  
Kocaeli / TÜRKİYE  
Tel.: +90 262 373 48 48

## CORPORATE HEADQUARTERS

### CAME S.p.A.

Via Martiri della Libertà, 15  
31030 Dosson di Casier  
Treviso - ITALY

## MANUFACTURING COMPANIES

### CAME GO S.r.l.

Pordenone, ITALY

### CAME PARKARE GROUP S.L.

Barcelona, SPAIN

### CAME URBACO

Vedene, FRANCE

### ENTROTEC Limited

Livingston, UK

### KEY MANAGEMENT SYSTEMS Limited

Buckinghamshire, UK

### NEPOS SISTEMAS DE CONTROLE E AUTOMAÇÃO EM ESTACIONAMENTO E TRÁFEGO LTDA

São Paulo, BRAZIL

## ÖZAK GEÇİŞ TEKNOLOJİLERİ

### SAN. TİC. A.Ş.

Kocaeli, TÜRKİYE

## COMMERCIAL BRANCHES EUROPE

### ITALY

CAME ITALIA S.r.l.  
Treviso

### BELGIUM

CAME BENELUX S.A.  
Lessines

### CROATIA

CAME ADRIATIC d.o.o.  
Kastav

### FRANCE

CAME FRANCE S.A.S.  
Paris

### GERMANY

CAME DEUTSCHLAND GmbH  
Stuttgart

### IRELAND

CAME BPT IRELAND LIMITED  
Dublin

### THE NETHERLANDS

CAME NEDERLAND B.V.  
Breda

### POLAND

CAME POLAND Sp. z o.o.  
Warszawa

### PORTUGAL

CAME PORTUGAL,  
UNIPESSOAL, LDA  
Lisbon

### RUSSIA

UMC RUS LLC  
Moscow

### SPAIN

CAME SPAIN S.A.  
Madrid

### THE UNITED KINGDOM

CAME BPT UK LIMITED  
Nottingham

## COMMERCIAL BRANCHES ASIA

### INDIA

CAME INDIA AUTOMATION  
SOLUTIONS Pvt. Ltd.  
New Delhi

### U.A.E.

CAME GULF FZCO  
Dubai

## COMMERCIAL BRANCHES AMERICAS

### BRAZIL

CAME DO BRASIL, INDÚSTRIA,  
IMPORTAÇÃO, EXPORTAÇÃO,  
COMÉRCIO E SERVIÇOS DE  
AUTOMAÇÃO LTDA  
São Paulo

### MEXICO

CAME AUTOMATISMOS §  
DE MEXICO S. DE R.L. DE C.V.  
Mexico City

### PERÚ

CAME PARKARE PERU S.A.C.  
Lima

### USA

CAME AMERICAS AUTOMATION LLC  
Miami, FL

### CANADA

CAME CANADA Inc.  
Toronto



© DD-1302-0064 R(12) - 2024 - ENGLISH  
YOU MAY NOT EVEN PARTIALLY REPRODUCE THIS DOCUMENT.  
CAME RESERVES THE RIGHT TO MAKE ANY CHANGES TO THIS DOCUMENT AT ANY TIME.